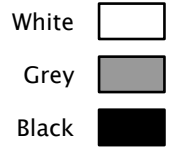


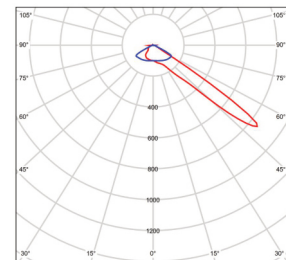
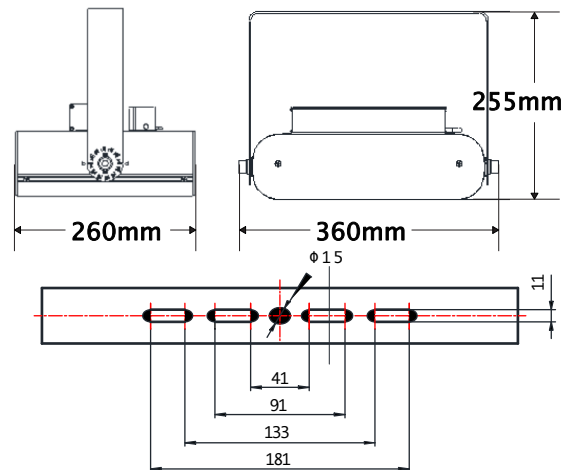


# 150W 3 MODULE MODULAR FLOODLIGHT 3535 SERIES

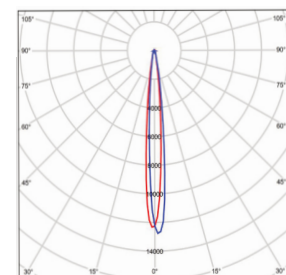
BMP-3535FLMODV-150-135V-10



SPECIFICATIONS	
System Power	150w
Milliamps	1000Ma
LED type	LUXEON 3535 36Pcs each Module
Lamp Body Material	Powdercoated Galvanised Steel
Colour Temperature	5700k(3000k,4000kopt)
Luminous Flux	20,30 lumens
Luminous Efficacy	135lm/w
CRI	Ra70 (Ra80/90 optional)
Beam Angle	135x14, 12x12
Rated Lifespan	>100,000 hours Modules
IP Rating	IP67 Housing , IP68 Modules
Impact rating	IK09
Driver Type	Moso Flicker Free X6-150M214
Operating Temperature	-40°C ~ 50°C
Dimmable	PWM Dimming
Test Reports	ISMT,LCP, TM21, LM80, L70
Lamp Dimension	360 x 250 x 255 mm
Net Weight	5.6kg
Warranty	5 years driver, 10 years Modules
Certification	JAS/ANZ TUV



BMP-FLMOD1214-150-13557-10



BMP-FLMOD12-150-13557-10



# 150W 3 MODULE MODULAR FLOODLIGHT 3535 SERIES

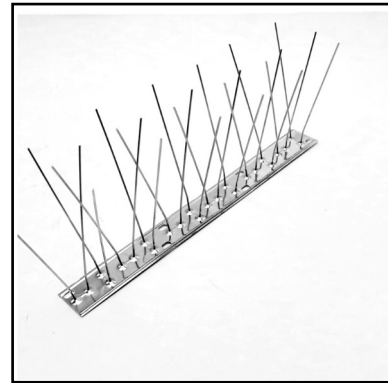
BMP-3535FLMODV-150-135V-10

For accessories, contact BMP LED via  
[www.bmpled.com.au/contact](http://www.bmpled.com.au/contact)

## ACCESSORIES



Driver Extension Cable  
2.0m,5.0m,12.0 lengths  
BMP-DEC/2/5/12-10



Birdspikes  
0.33m  
BMP-BIRDSPIKES-10



Red Laser pointer  
BMP-REDLPOINT-10

