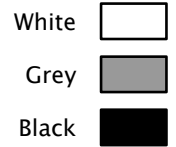


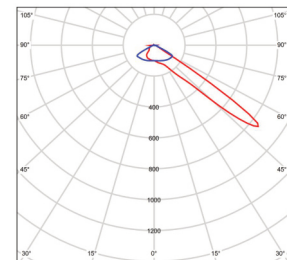
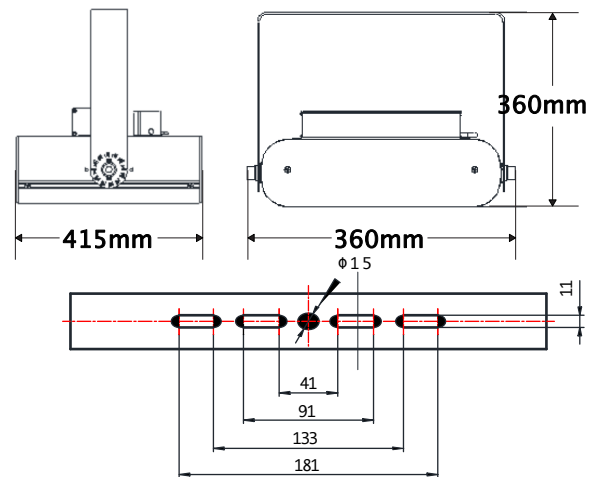


250W 5 MODULE MODULAR FLOODLIGHT 3535 SERIES

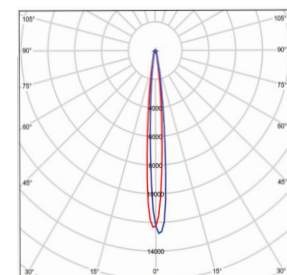
BMP-3535FLMODV-250-135V-10



| SPECIFICATIONS | |
|-----------------------|----------------------------------|
| System Power | 250w |
| Milliamps | 1000Ma |
| LED type | LUXEON 3535 36Pcs each Module |
| Lamp Body Material | Powdercoated Galvanised Steel |
| Colour Temperature | 5700k(3000k,4000kopt) |
| Luminous Flux | 33,750lumens |
| Luminous Efficacy | 135lm/w |
| CRI | Ra70 (Ra80/90 optional) |
| Beam Angle | 135x14, 12x12 |
| Rated Lifespan | >100,000 hours Modules |
| IP Rating | IP67 Housing , IP68 Modules |
| Impact rating | IK09 |
| Driver Type | Moso Flicker Free |
| Operating Temperature | -40°C ~ 50°C |
| Dimmable | PWM Dimming |
| Test Reports | ISMT,LCP, TM21, LM80, L70 |
| Lamp Dimension | 360 x 360 x 415 mm |
| Net Weight | 8.4kg |
| Warranty | 5 years driver, 10 years Modules |
| Certification | JAS/ANZ TUV |



BMP-FLMOD1214-250-13557-10



BMP-FLMOD12-250-13557-10



250W 5 MODULE MODULAR FLOODLIGHT 3535 SERIES

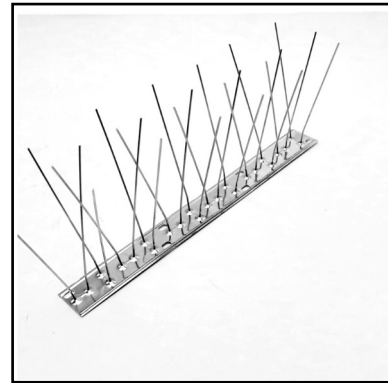
BMP-3535FLMODV-250-135V-10

For accessories, contact BMP LED via
www.bmp led.com.au/contact

ACCESSORIES



Driver Extension Cable
2.0m,5.0m,12.0 lengths
BMP-DEC/2/5/12-10



Birdspikes
0.33m
BMP-BIRD SPIKES-10



Red Laser pointer
BMP-REDLPOINT-10

