

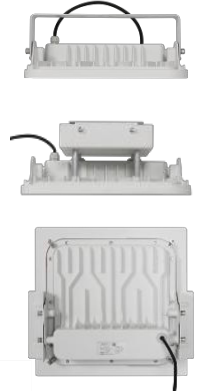


**LED**

# 100W SLIM COMPACT CANOPY LIGHT

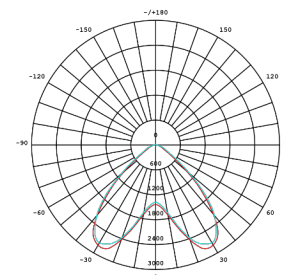
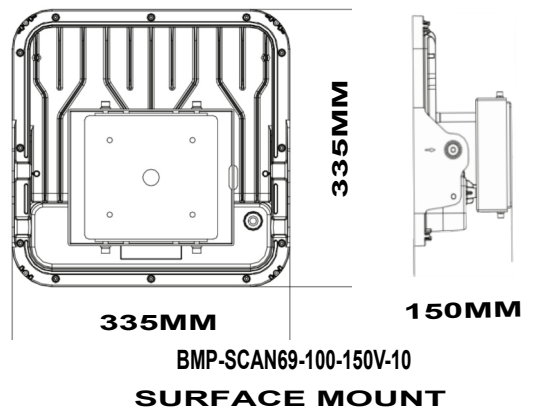
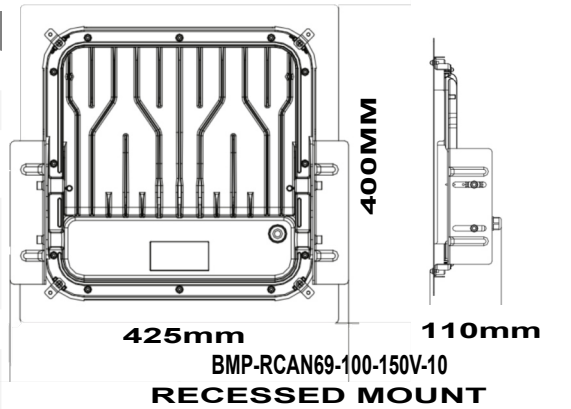
BMP-CAN69-100-150V-10

- White
- Grey
- Black



## SPECIFICATIONS

|                       |                               |
|-----------------------|-------------------------------|
| System Power          | 100w                          |
| Milliamps             | 1200Ma                        |
| LED type              | LUMILEDS 5050 34Pcs           |
| Lamp Body Material    | Powdercoated Galvanised Steel |
| Colour Temperature    | 5700k(3000k,4000kopt)         |
| Luminous Flux         | 16,400 Lumens                 |
| Luminous Efficacy     | 164lm/w                       |
| CRI                   | Ra70 (Ra80/90 optional)       |
| Beam Angle            | 110 x110                      |
| Rated Lifespan        | >100,000 hours<br>Modules     |
| IP Rating             | IP67 Housing , IP66           |
| Impact rating         | IK08                          |
| Driver Type           | Moso Flicker Free             |
| Operating Temperature | -40°C ~ 50°C                  |
| Dimmable              | Optionl                       |
| Test Reports          | ISMT,LCP,TM21,LM80,<br>L70    |
| Lamp Dimension        | 425 x 400 x 110 mm            |
| Net Weight            | 5.6kg                         |
| Warranty              | 5 years driver,               |



**110 x 110 B/Angle**

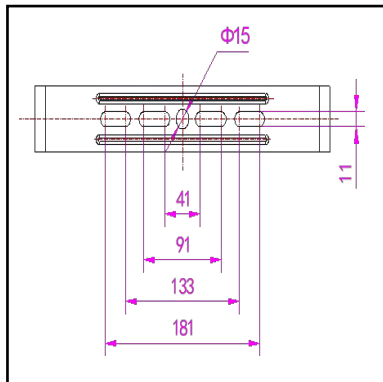


# 100W SLIM COMPACT CANOPY LIGHT

BMP-SFCAN69-100-150V-10

For accessories, contact BMP LED via [www.bmp-led.com.au/contact](http://www.bmp-led.com.au/contact)

## ACCESSORIES



Surface Mount Bracket  
BMP-CAN-SBRACKET-10

