



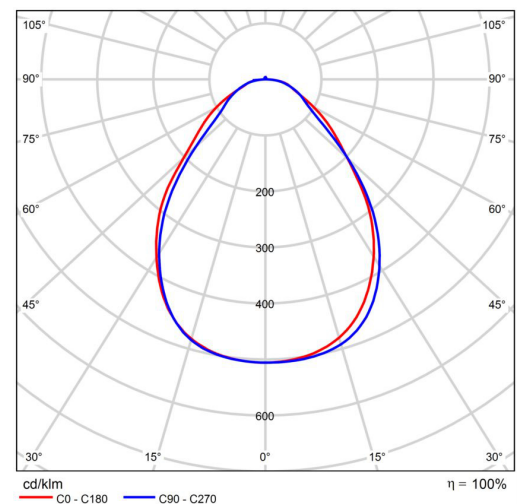
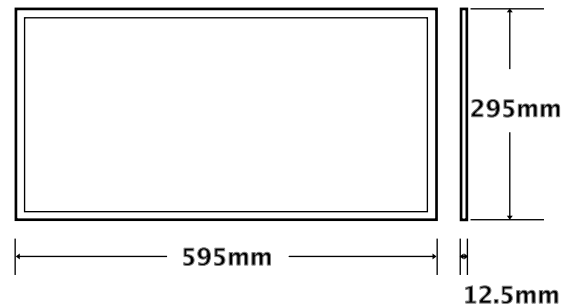
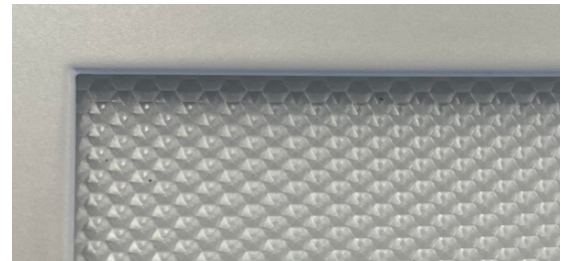
20W CYANOSIS DALI DIMMABLE SIDE-LIT LED PANEL LIGHT

BMP-CYAN62-20-934-58Dali



SPECIFICATIONS

System Power	22W
Milliamps	500Ma 33-40v
LED type	PCB Board, 126pcs, 2835 SMD
Lamp Body Material	Aluminium Shell
Diffuser	PMMA LGP & Micro Prismatic
Colour Temperature	4000K
Luminous Flux	2151lumens
Luminous Efficacy	94 Lm/w
MaCadam	5 step
CRI	>95
Beam Angle	120 x 120
Rated Lifespan	>50,000 hours
IP Rating	IP20
Driver Type	Tridonic Flicker Free
Operating Temperature	-20°C ~ 40°C
Dimmable	300Ma - 500Ma
Installation	Recessed / Suspended Surface Mount
Lamp Dimension	595 x 295 x 12.5 mm
Warranty	5 years
Certification	JAS/ANZ



OPTIONS

- Suspension Kits
- Clean Room IP65 Enclosures
- Surface Mount Kits

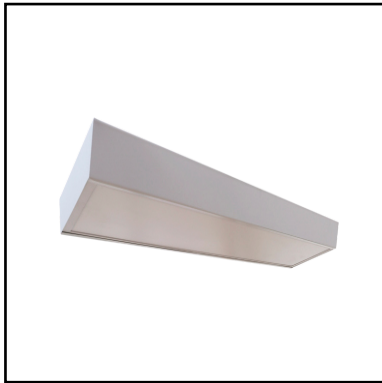


20W CYANOSIS DALI DIMMABLE SIDE-LIT LED PANEL LIGHT

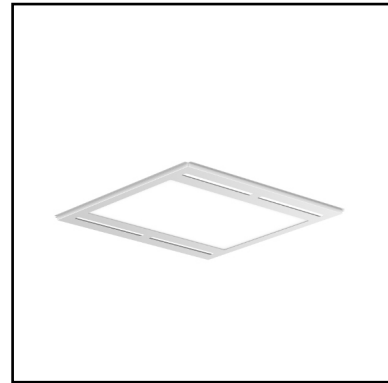
BMP-CYAN62-20-934-58Dali

For accessories, contact BMP LED via
www.bmpled.com.au/contact

ACCESSORIES



Surface Mount frame
Matt White
BMP-SL62-SURF-58



Air Slot recessed Frame
Matt White
BMP-SL62-AS-58



Plaster Recess Frame
Matt White
BMP-SL62-REC-58



Cleanroom IP65 Enclosure
Matt White
BMP-SL62-IP65CR-58