



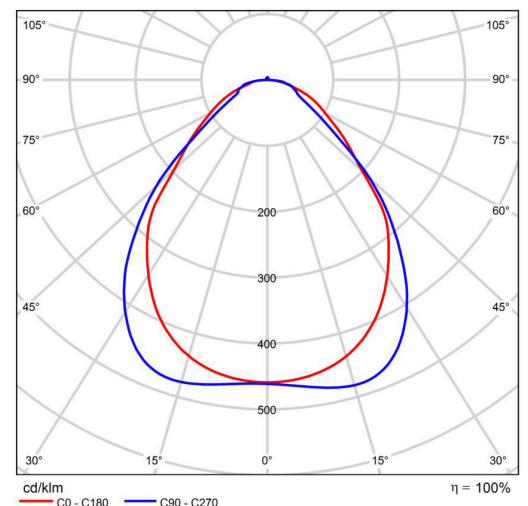
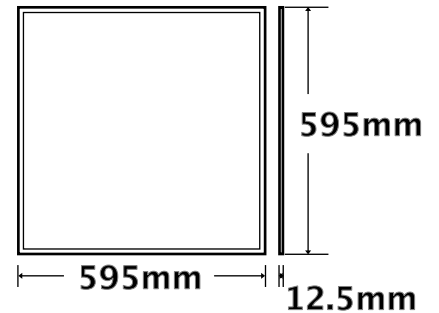
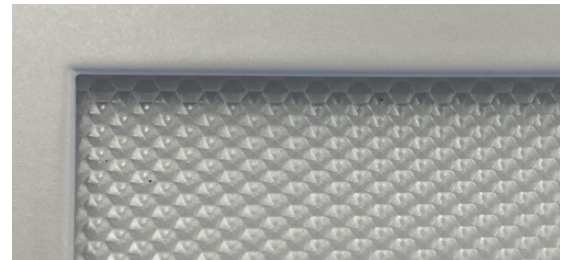
40W CYANOSIS SIDE-LIT LED PANEL LIGHT

BMP-CYAN66-40-934-58



SPECIFICATIONS

System Power	43W
Milliamps	950Ma 33-40v
LED type	PCB Board, 196pcs, 2835 SMD
Lamp Body Material	Aluminium Shell
Diffuser	PMMA LGP & Micro Prismatic
Colour Temperature	4000K
Luminous Flux	4078lumens
Luminous Efficacy	94lm/w
MaCadam	5 step
CRI	>95
Beam Angle	120 x 120
Rated Lifespan	>50,000 hours
IP Rating	IP20
Driver Type	Lifud External Flicker Free
Operating Temperature	-20°C ~ 40°C
Dimmable	Optional Flicker Free
Installation	Recessed / Suspended Surface Mount
Lamp Dimension	595 x 595 x 12.5 mm
Warranty	5 years
Certification	JAS/ANZ



OPTIONS

Suspension Kits	
Clean Room IP65 Enclosures	
Surface Mount Kits	



40W CYANOSIS SIDE-LIT LED PANEL LIGHT

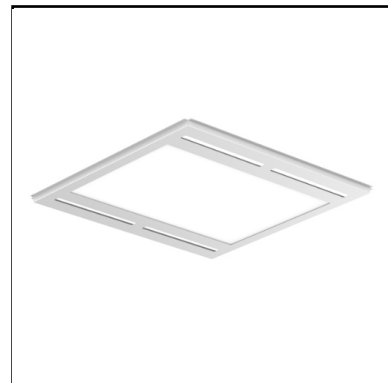
BMP-CYAN66-40-934-58

For accessories, contact BMP LED via
www.bmped.com.au/contact

ACCESSORIES



Surface Mount frame
Matt White
BMP-SL66-SURF-58



Air Slot recessed Frame
Matt White
BMP-SL66-AS-58



Plaster Recess Frame
Matt White
BMP-SL66-REC-58



Cleanroom IP65 Enclosure
Matt White
BMP-SL312-IP65CR-58

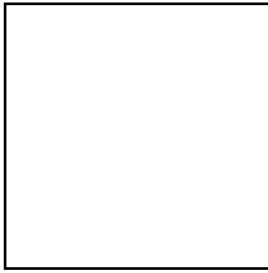


40W CYANOSIS SIDE-LIT LED PANEL LIGHT

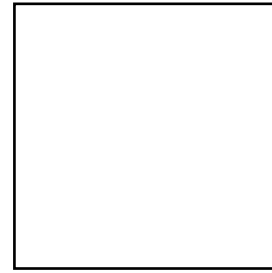
BMP-CYAN66-40-934-58

For accessories, contact BMP LED via
www.bmp led.com.au/contact

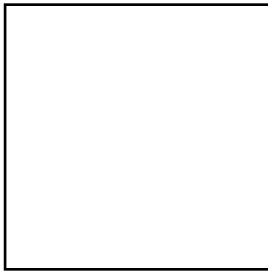
ACCESSORIES



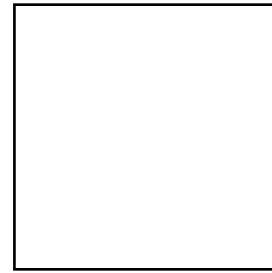
XXXX



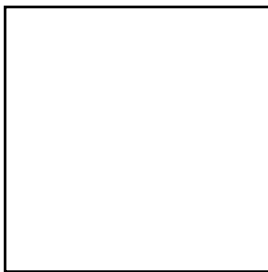
XXXX



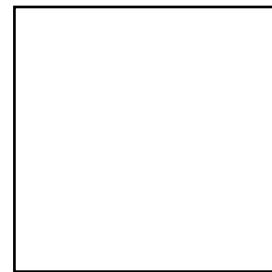
XXXX



XXXX



XXXX



XXXX