



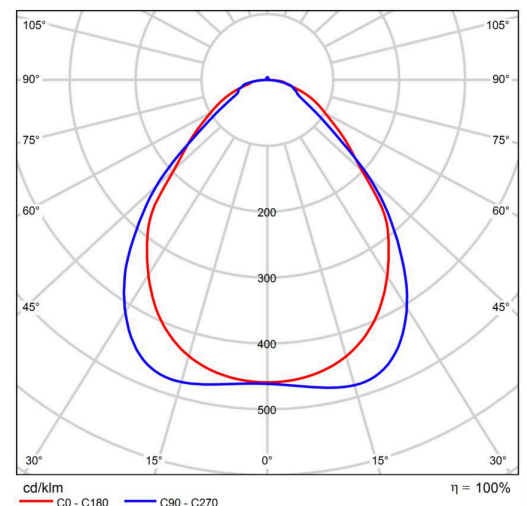
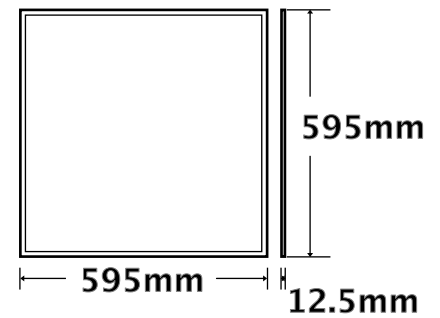
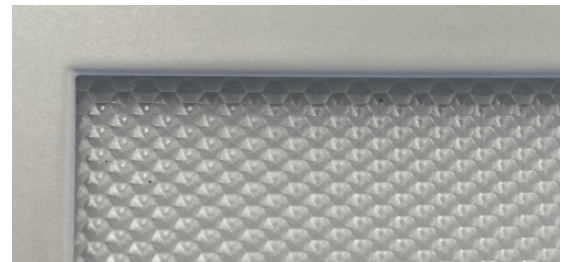
# 40W CYANOSIS DALI DIMMABLE SIDE-LIT LED PANEL LIGHT

BMP-CYAN66-40-934-58Dali



## SPECIFICATIONS

System Power	43W
Milliamps	950Ma, 33-40v
LED type	PCB Board, 196pcs, 2835 SMD
Lamp Body Material	Aluminium Shell
Diffuser	PMMA LGP & Micro Prismatic
Colour Temperature	4000K
Luminous Flux	4014lumens
Luminous Efficacy	94Lm/w
MaCadarn	5 step
CRI	>95
Beam Angle	120 x 120
Rated Lifespan	>50,000 hours
IP Rating	IP20
Driver Type	Tridonic Flicker Free
Operating Temperature	-20°C ~ 40°C
Dimmable	400Ma - 950Ma
Installation	Recessed / Suspended Surface Mount
Lamp Dimension	595 x 595 x 12.5 mm
Warranty	5 years
Certification	JAS/ANZ



## OPTIONS

- Suspension Kits
- Clean Room IP65 Enclosures
- Surface Mount Kits

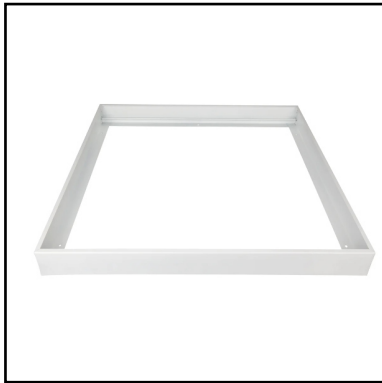


# 40W CYANOSIS DALI DIMMABLE SIDE-LIT LED PANEL LIGHT

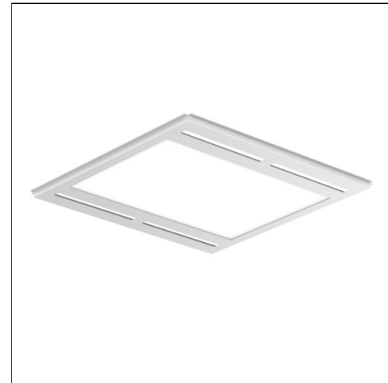
BMP-CYAN66-40-934-58Dali

For accessories, contact BMP LED via  
[www.bmpled.com.au/contact](http://www.bmpled.com.au/contact)

## ACCESSORIES



Surface Mount frame  
Matt White  
BMP-SL66-SURF-58



Air Slot recessed Frame  
Matt White  
BMP-SL66-AS-58



Plaster Recess Frame  
Matt White  
BMP-SL66-REC-58



Cleanroom IP65 Enclosure  
Matt White  
BMP-SL312-IP65CR-58

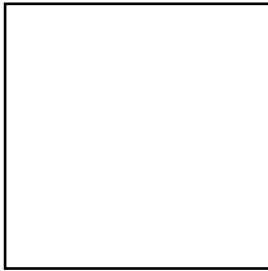


# 40W CYANOSIS DALI DIMMABLE SIDE-LIT LED PANEL LIGHT

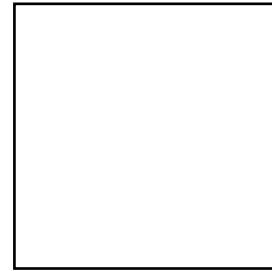
BMP-CYAN66-40-934-58Dali

For accessories, contact BMP LED via  
[www.bmp-led.com.au/contact](http://www.bmp-led.com.au/contact)

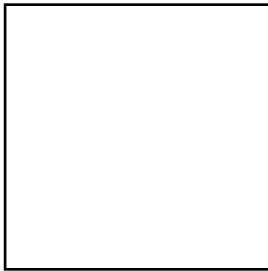
## ACCESSORIES



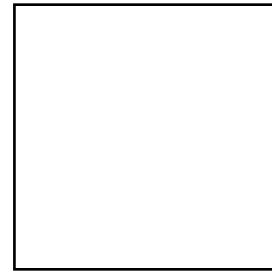
XXXX



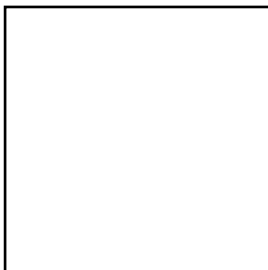
XXXX



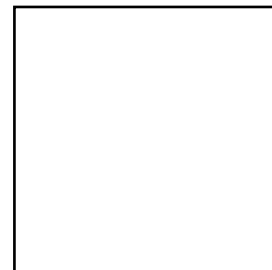
XXXX



XXXX



XXXX



XXXX