



300W 5 MODULE MODULAR FLOODLIGHT SERIES

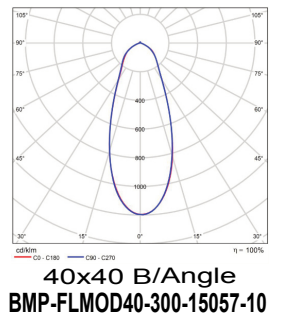
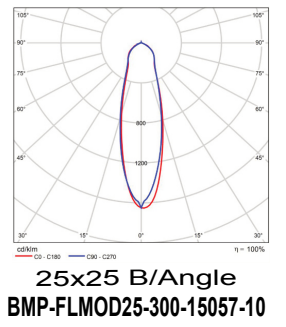
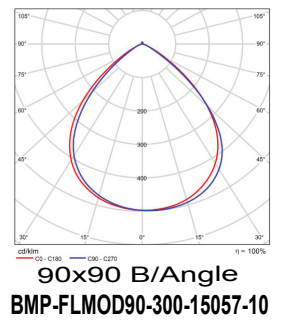
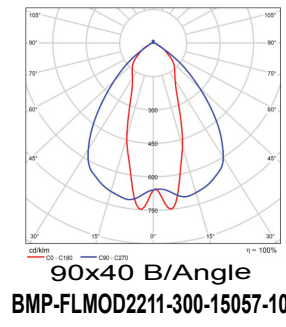
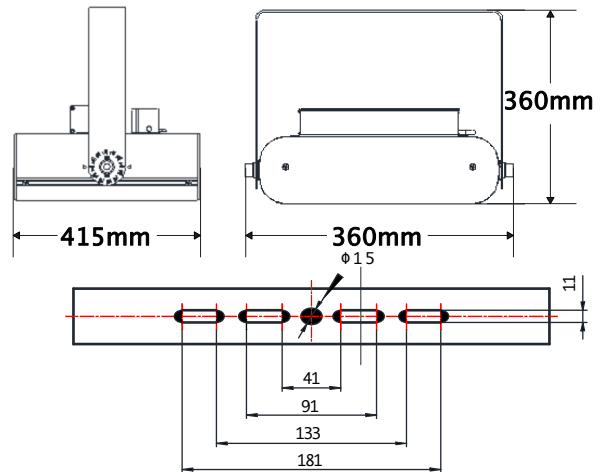
BMP-FLMODV-300-150V-10

- White
- Grey
- Black



SPECIFICATIONS

| | |
|-----------------------|---|
| System Power | 300w |
| Milliamps | 1200Ma |
| LED type | LUMILEDS 5050 28Pcs each Module |
| Lamp Body Material | Powdercoated Galvanised Steel |
| Colour Temperature | 5700k(3000k,4000kopt) |
| Luminous Flux | 46,550lumens |
| Luminous Efficacy | 155lm/w |
| CRI | Ra70 (Ra80/90 optional) |
| Beam Angle | 90x40,90x90,25x25, 60x60 |
| Rated Lifespan | >100,000 hours Modules |
| IP Rating | IP67 Housing , IP68 Modules |
| Impact rating | IK09 |
| Driver Type | Moso Flicker Free X6-200M191+X6-150M143 |
| Operating Temperature | -40°C ~ 50°C |
| Dimmable | PWM Dimming |
| Test Reports | ISMT,LCP, TM21, LM80, L70 |
| Lamp Dimension | 360 x 360 x 415 mm |
| Net Weight | 8.4kg |
| Warranty | 5 years driver, 10 years Modules |
| Certification | JAS/ANZ TUV |



See modular Photometric for additional beam Angles



300W 5 MODULE MODULAR FLOODLIGHT SERIES

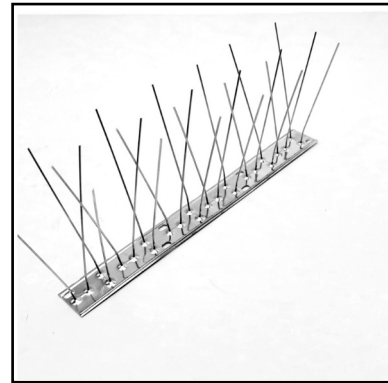
BMP-FLMODV-300-150V-10

For accessories, contact BMP LED via
www.bmp-led.com.au/contact

ACCESSORIES



Driver Extension Cable
2.0m,5.0m,12.0 lengths
BMP-DEC/2/5/12-10



Birdspikes
0.33m
BMP-BIRDSPIKES-10



Red Laser pointer
BMP-REDLPOINT-10

