

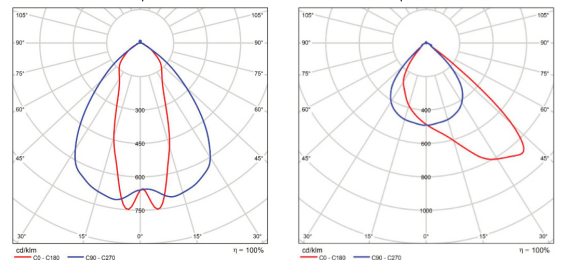
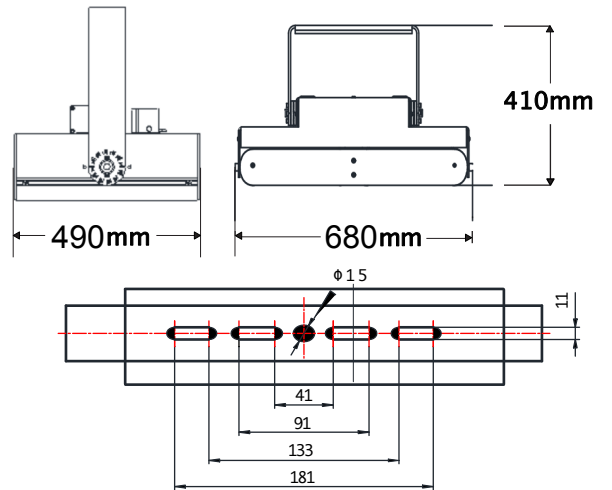


500W 10 MODULE MODULAR FLOODLIGHT SERIES

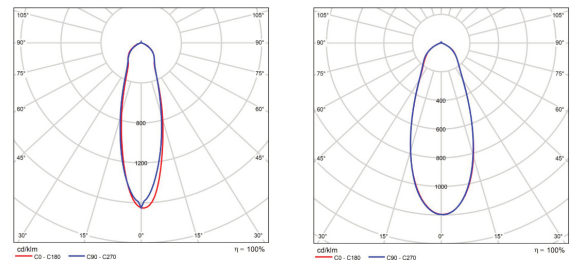
BMP-FLMODV-500-150V-10



SPECIFICATIONS	
System Power	500w
Milliamps	1000Ma
LED type	LUMILEDS 5050 28Pcs each Module
Lamp Body Material	Powdercoated Galvanised Steel
Colour Temperature	5700k(3000k,4000kopt)
Luminous Flux	82,550lumens
Luminous Efficacy	165lm/w
CRI	Ra70 (Ra80/90 optional)
Beam Angle	90x40,90x90,25x25, 60x60
Rated Lifespan	> 100,000 hours Modules
IP Rating	IP67 Housing , IP68 Modules
Impact rating	IK09
Driver Type	Moso Flicker Free X6-240M343 x 2
Operating Temperature	-40°C ~ 50°C
Dimmable	PWM Dimming
Test Reports	ISMT,LCP, TM21, LM80, L70
Lamp Dimension	680 x 410 x 490 mm
Net Weight	28.9kg
Warranty	5 years driver, 10 years Modules
Certification	JAS/ANZ TUV



BMP-FLMOD2211-500-15057-10 BMP-FLMOD2212-500-15057-10



BMP-FLMOD25-500-15057-10 BMP-FLMOD40-500-15057-10

See modular Photometric for additional beam Angles



500W 10 MODULE MODULAR FLOODLIGHT SERIES

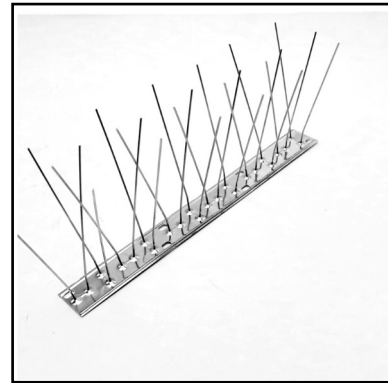
BMP-FLMODV-500-150V-10

For accessories, contact BMP LED via
www.bmp-led.com.au/contact

ACCESSORIES



Driver Extension Cable
2.0m,5.0m,12.0 lengths
BMP-DEC/2/5/12-10



Birdspikes
0.33m
BMP-BIRDSPIKES-10



Red Laser pointer
BMP-REDLPOINT-10

