

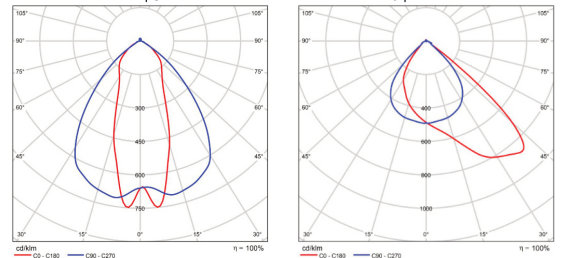
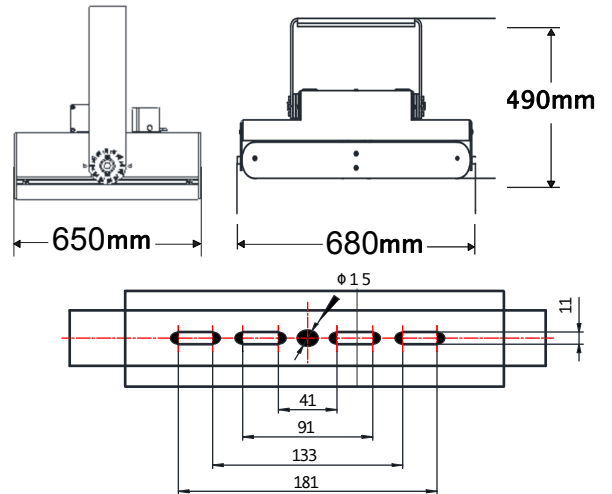


# 960W 16 MODULE MODULAR FLOODLIGHT SERIES

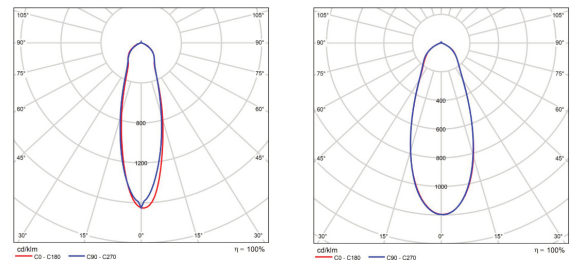
BMP-FLMODV-960-150V-10



SPECIFICATIONS	
System Power	960w
Milliamps	1200Ma
LED type	LUMILEDS 5050 28Pcs each Module
Lamp Body Material	Powdercoated Galvanised Steel
Colour Temperature	5700k(3000k,4000kopt)
Luminous Flux	153,650lumens
Luminous Efficacy	160lm/w
CRI	Ra70 (Ra80/90 optional)
Beam Angle	90x40,90x90,25x25, 60x60
Rated Lifespan	> 100,000 hours Modules
IP Rating	IP67 Housing , IP68 Modules
Impact rating	IK09
Driver Type	Moso Flicker Free X6-240M229 x 6
Operating Temperature	-40°C ~ 50°C
Dimmable	PWM Dimming
Test Reports	ISMT,LCP, TM21, LM80, L70
Lamp Dimension	655 x 680 x 420 mm
Net Weight	36.4kg
Warranty	5 years driver, 10 years Modules
Certification	JAS/ANZ TUV



BMP-FLMOD2211-960-15057-10    BMP-FLMOD2212-960-15057-10



BMP-FLMOD25-960-15057-10    BMP-FLMOD40-960-15057-10

*See modular Photometric for additional beam Angles*



# 960W 16 MODULE MODULAR FLOODLIGHT SERIES

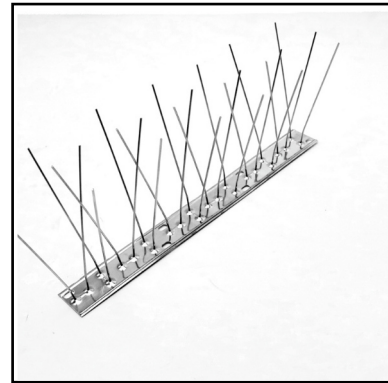
BMP-FLMODV-960-150V-10

For accessories, contact BMP LED via  
[www.bmpled.com.au/contact](http://www.bmpled.com.au/contact)

## ACCESSORIES



Driver Extension Cable  
2.0m,5.0m,12.0 lengths  
BMP-DEC/2/5/12-10



Birdspikes  
0.33m  
BMP-BIRDSPIKES-10



Red Laser pointer  
BMP-REDLPOINT-10

