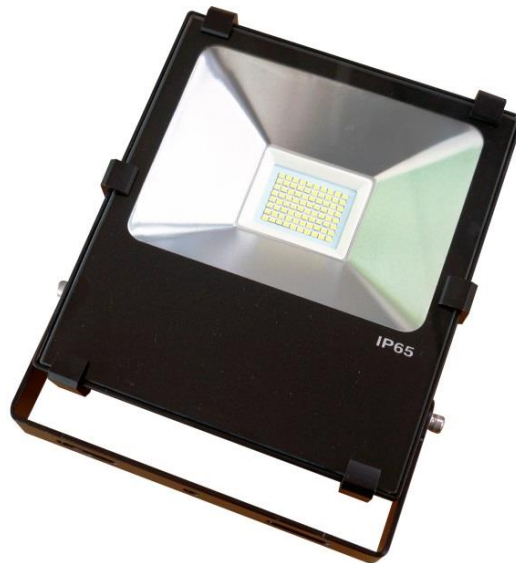




30W COMPACT FLOODLIGHT

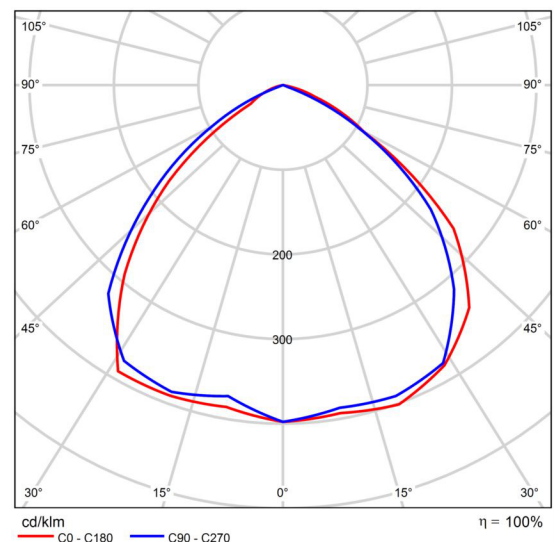
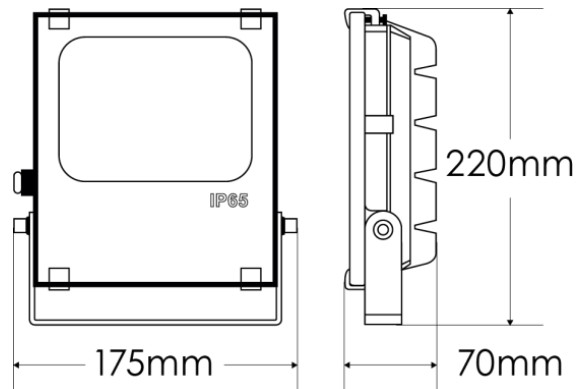
6000K

BMP-FLSMD-30-1306-54



SPECIFICATIONS

System Power	30w
Milliamps	750Ma
LED type	3030 SMD
Lamp Body Material	Glass diffuser,aluminium body, Steel mounting bracket
Colour Temperature	6000k
Luminous Flux	3,950 Lumens
Luminous Efficacy	130 Lm/w
CRI	Ra70
Beam Angle	115 x 115
Rated Lifespan	>50,000 hours
IP Rating	IP65 Housing
Impact rating	IK08
Driver Type	Sosen Driver
Operating Temperature	-20°C ~ 55°C
Dimmable	N/A
Test Reports	Lm80 >50,000hrs
Lamp Dimension	175 x 220 x 70 (H) mm
Net Weight	
Warranty	5 years
Certification	JAS/ANZ TUV



110x110 B/Angle