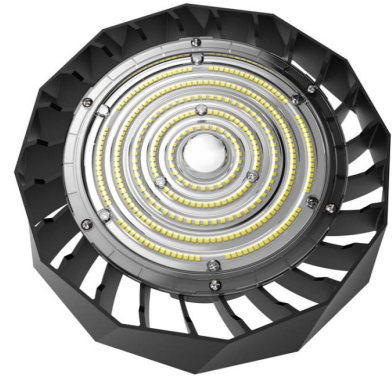




150w UFO HI-BAY LIGHT

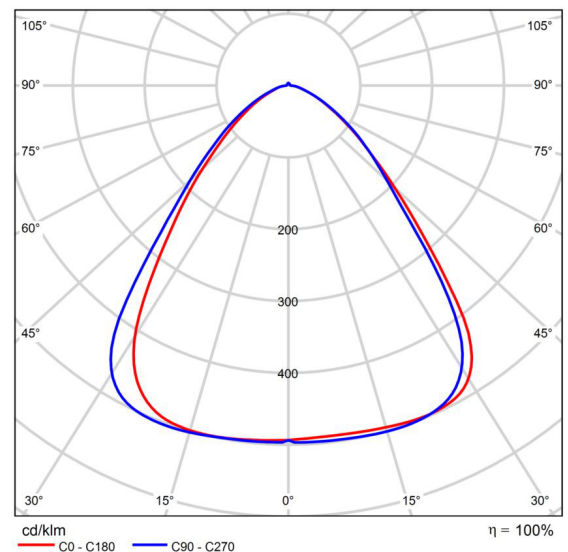
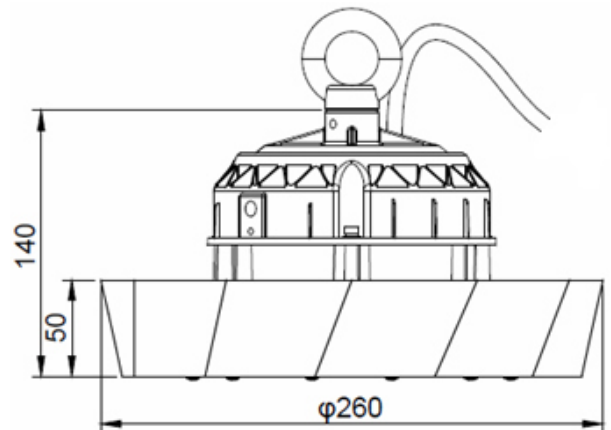
5700K

BMP-HBU-150-14057-61



SPECIFICATIONS

System Power	150w
Milliamps	350Ma
LED type	2835 SMD
Lamp Body Material	Aluminium housing and PC diffuser
Colour Temperature	5700k
Luminous Flux	21,050 Lumens
Luminous Efficacy	140 Lm/w
CRI	Ra80
Beam Angle	100 x 100
Rated Lifespan	>50,000 hours
IP Rating	IP65 Housing
Impact rating	IK08
Driver Type	Sosen flicker free
Operating Temperature	-45°C ~ 45°C
Dimmable	N/A
Test Reports	Lm80>50,000hrs
Lamp Dimension	Ø260 x 140 (H) mm
Net Weight	2.75kg
Warranty	5 years driver
Certification	JAS/ANZ TUV



100x100 B/Angle