



# 300W 5 MODULE MODULAR HIBAY SERIES

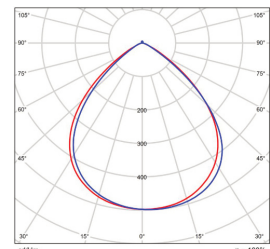
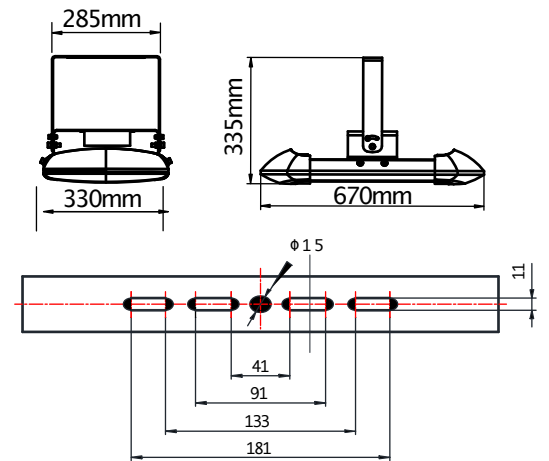
BMP-HBV-300-150V-10

- White
- Grey
- Black

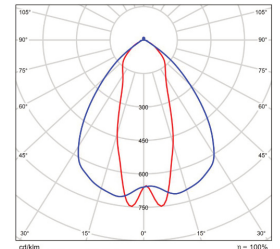


## SPECIFICATIONS

System Power	300w
Milliamps	1200Ma
LED type	LUMILEDS 5050 28Pcs each Module
Lamp Body Material	Powdercoated Galvanised Steel
Colour Temperature	5700k(3000k,4000kopt)
Luminous Flux	40,000lumens
Luminous Efficacy	160lm/w
CRI	Ra70 (Ra80/90 optional)
Beam Angle	90x90,90x40,60X60, 40x40
Rated Lifespan	>100,000 hours Modules
IP Rating	IP67 Housing , IP68 Modules
Impact rating	IK09
Driver Type	Moso Flicker Free X6-200M191+X6-150M143
Operating Temperature	-40°C ~ 50°C
Dimmable	PWM Dimming
Test Reports	ISMT,LCP, TM21, LM80, L70
Lamp Dimension	670x330x335 mm
Net Weight	11.1kg
Warranty	5 years driver, 10 years Modules
Certification	JAS/ANZ TUV

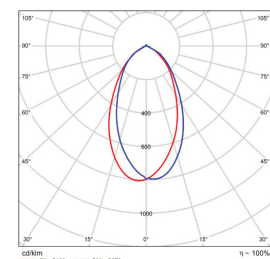


90x90 B/Angle  
BMP-HB90-300-150V-10

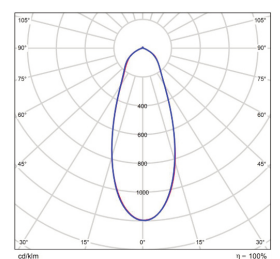


90x40 B/Angle  
BMP-HB2211-300-150V-10

Pallet racking isles



60x60 B/Angle  
BMP-HB60-300-150V-10



40x40 B/Angle  
BMP-HB40-300-150V-10

See modular Photometric for additional beam Angles



# 300W 5 MODULE MODULAR HIBAY SERIES

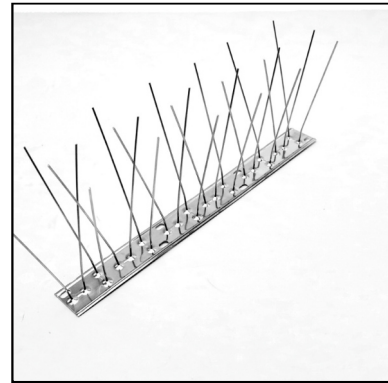
BMP-HBV-300-150V-10

For accessories, contact BMP LED via  
[www.bmp-led.com.au/contact](http://www.bmp-led.com.au/contact)

## ACCESSORIES



Driver Extension Cable  
2.0m, 5.0m, 12.0 lengths  
BMP-DEC/2/5/12-10



Birdspikes  
0.33m  
BMP-BIRDSPIKES-10

