



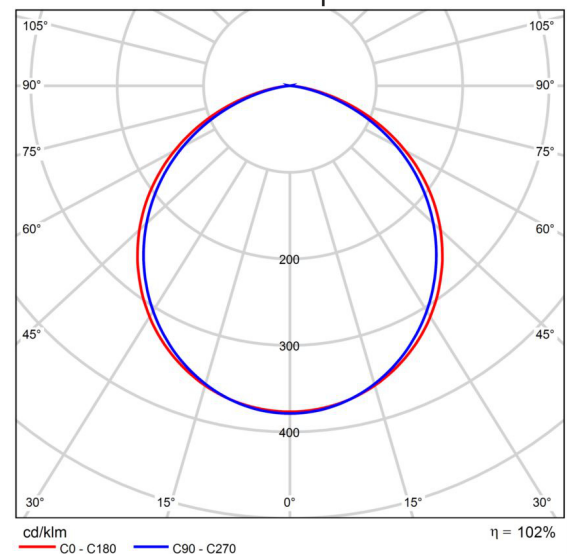
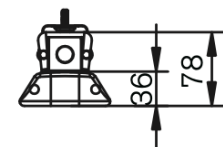
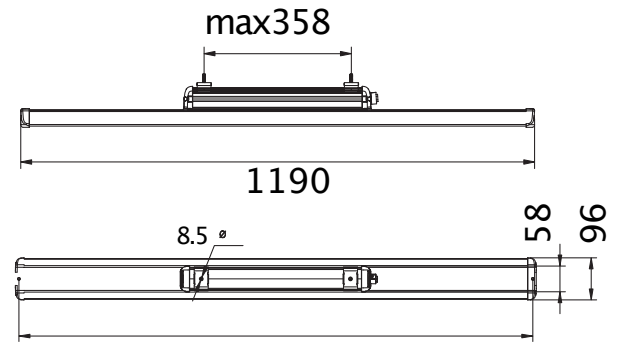
40W HARSH ENVIROMENT LIGHT

6000K

BMP-IP6912-40-1056-17



SPECIFICATIONS	
System Power	40w
Milliamps	350Ma
LED type	2835 SMD
Lamp Body Material	Aluminium housing and glass diffuser
Colour Temperature	6000k (3000k,4000k opt)
Luminous Flux	4,400 Lumens
Luminous Efficacy	105 Lm/w
CRI	Ra80 (Ra80/90 optional)
Beam Angle	108 x 108
Rated Lifespan	>50,000 hours
IP Rating	IP69K Housing
Impact rating	IK10
Driver Type	Isolated Class 1 Lifud flicker free
Operating Temperature	-45°C ~ 45°C
Dimmable	Optional
Test Reports	L70B20>50,000hrs
Lamp Dimension	1190 x 96 x 78 (H) mm
Net Weight	3.4kg
Warranty	5 years driver
Certification	JAS/ANZ TUV



108x108 B/Angle