

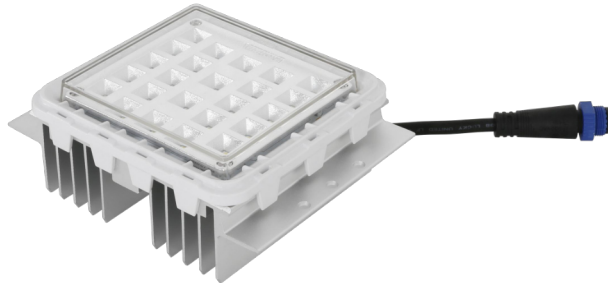


40-60W M12A MODULE SERIES

BMP-M12-40-V-10
 BMP-M12-50-V-10
 BMP-M12-60-V-10



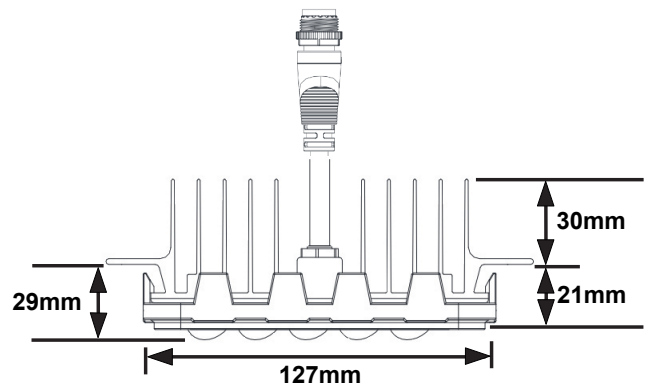
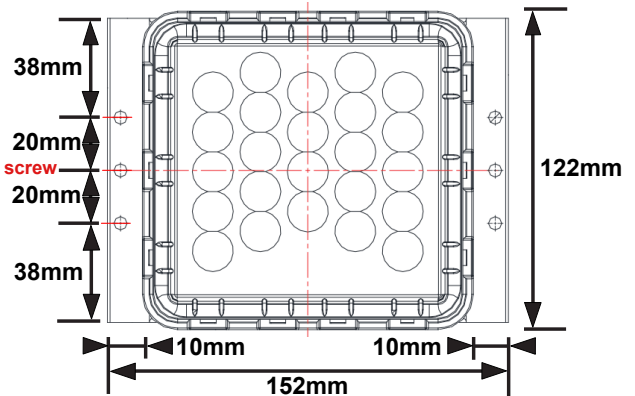
Lens Type



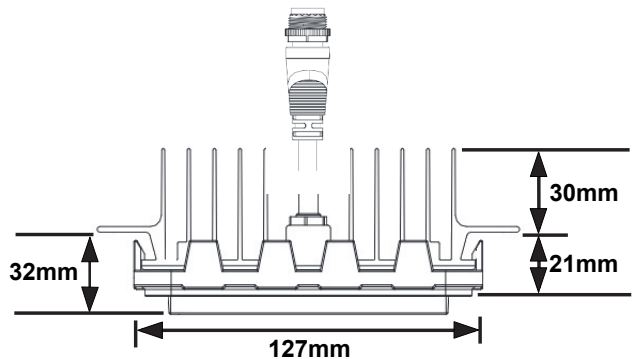
Reflector Type

SPECIFICATIONS

System Power	40w, 50w, 60w
Milliamps	800Ma, 1000Ma, 1200Ma
LED type	LUMILEDS/ Luxeon 3030, 3535, 5050
Lamp Body Material	Aluminium 6063
Colour Temperature	3000k, 4000k, 5000, 5700k
Luminous Flux	As per module
Luminous Efficacy	As per module
CRI	Ra70 (Ra80/90 optional)
Beam Angle	Various (see pages 2&3)
Rated Lifespan	>100,000 hours Modules
IP Rating	IP68 Modules
Impact rating	IK09
Driver Type	Constant Current
Operating Temperature	-40°C ~ 50°C
Dimmable	Optional
Test Reports	ISMT, LCP, TM21, LM80, L70
Lamp Dimension	φ105x 68 mm
Net Weight	0.55kg
Warranty	10 years



Lens Type



Reflector Type



40-60W M12A MODULE SERIES

BMP-M12-40-V-10

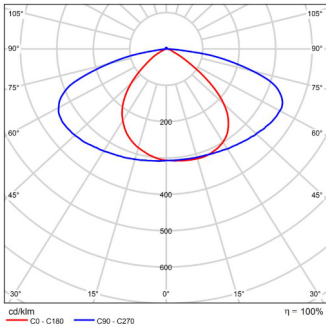
BMP-M12-50-V-10

BMP-M12-60-V-10

For IES Files, contact BMP LED via
www.bmp-led.com.au/contact

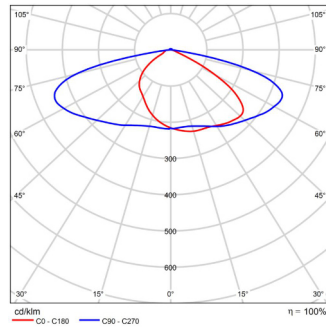
PHOTOMETRIC DIAGRAM

M12A-5050 SERIES



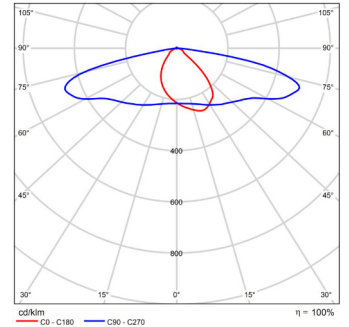
BMP-M12A2210-W-V-10

W= 40w (170 lm/w)
 W= 50w (165 lm/w)
 W= 60w (157 lm/w)



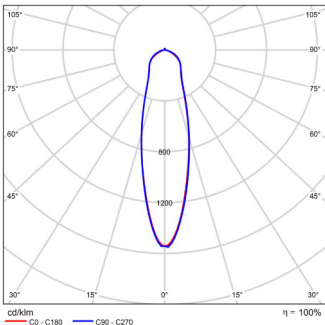
BMP-M12A2240-W-V-10

W= 40w (170 lm/w)
 W= 50w (165 lm/w)
 W= 60w (157 lm/w)



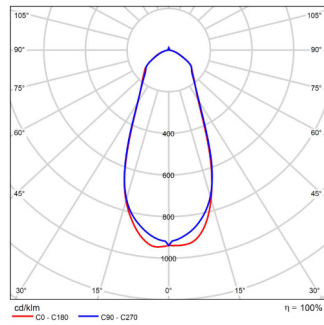
BMP-M12A2219-W-V-10

W= 40w (170 lm/w)
 W= 50w (165 lm/w)
 W= 60w (157 lm/w)



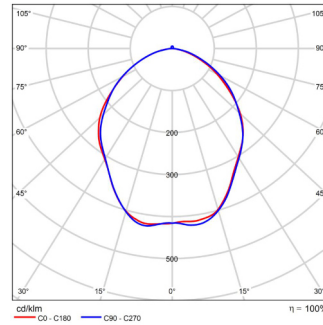
BMP-M12A25-W-V-10
 25X25 B/ANGLE

W= 40w (170 lm/w)
 W= 50w (165 lm/w)
 W= 60w (157 lm/w)



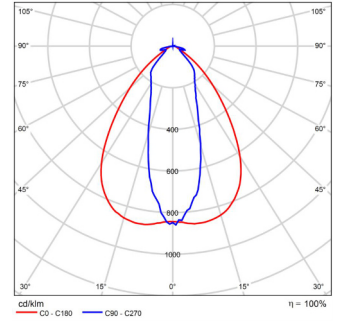
BMP-M12A60-W-V-10
 60X60 B/ANGLE

W= 40w (170 lm/w)
 W= 50w (165 lm/w)
 W= 60w (157 lm/w)



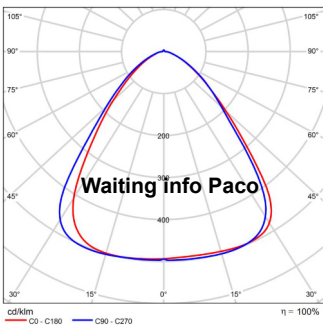
BMP-M12A90-W-V-10
 90X90 B/ANGLE

W= 40w (170 lm/w)
 W= 50w (165 lm/w)
 W= 60w (157 lm/w)



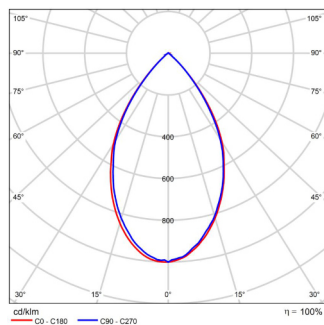
BMP-M12A2216-W-V-10
 78X33 B/ANGLE

W= 40w (170 lm/w)
 W= 50w (165 lm/w)
 W= 60w (157 lm/w)



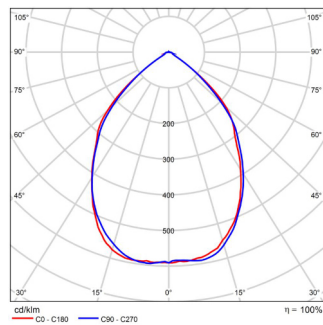
BMP-M12A2290-W-V-10
 120X120 B/ANGLE
 Reflector Type

W= 40w (163 lm/w)
 W= 50w (157 lm/w)
 W= 60w (150 lm/w)



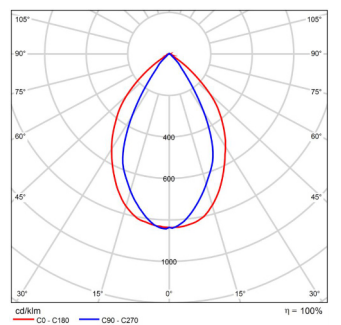
BMP-M12A2511-W-V-10
 60X60 B/ANGLE
 Reflector Type

W= 40w (163 lm/w)
 W= 50w (157 lm/w)
 W= 60w (150 lm/w)



BMP-M12A2512-W-V-10
 80X80 B/ANGLE
 Reflector Type

W= 40w (163 lm/w)
 W= 50w (157 lm/w)
 W= 60w (150 lm/w)



BMP-M12A2513-W-V-10
 80X50 B/ANGLE
 Reflector Type

W= 40w (163 lm/w)
 W= 50w (157 lm/w)
 W= 60w (150 lm/w)



40-60W M12A MODULE SERIES

BMP-M12-40-V-10

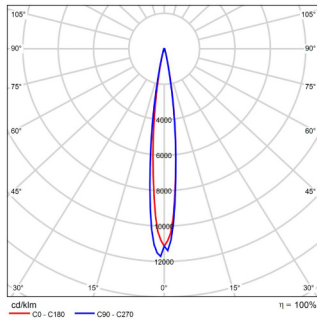
BMP-M12-50-V-10

BMP-M12-60-V-10

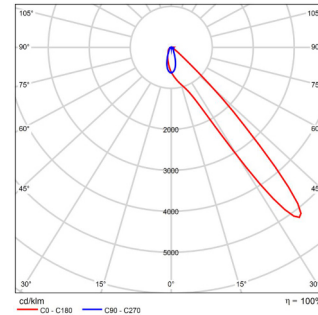
For IES Files, contact BMP LED via
www.bmpled.com.au/contact

PHOTOMETRIC DIAGRAM

M12A-3535 SERIES

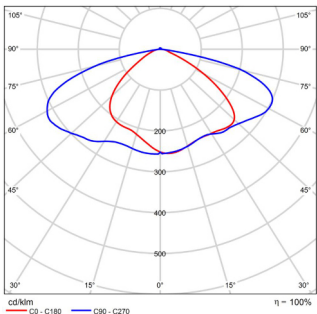


BMP-M12A2012-W-V-10
 12X12 B/ANGLE
 W= 40w (135 lm/w)
 W= 50w (130 lm/w)
 W= 60w (125 lm/w)

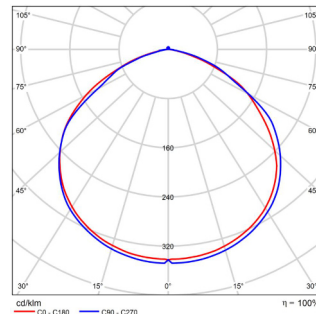


BMP-M12A2318-W-V-10
 Sport Lighting
 W= 40w (135 lm/w)
 W= 50w (130 lm/w)
 W= 60w (125 lm/w)

M12A-3535 SERIES



BMP-M12A2213-W-V-10
 Streetlight Module
 W= 40w (135 lm/w)
 W= 50w (130 lm/w)
 W= 60w (125 lm/w)



BMP-M12A2214-W-V-10
 120X120 B/ANGLE
 Reflector Type
 W= 40w (140 lm/w)
 W= 50w (135 lm/w)
 W= 60w (127 lm/w)

ACCESSORIES



Driver Extension Cable
 2.0m,5.0m,12.0 lengths
 BMP-DEC/2/5/12-10