



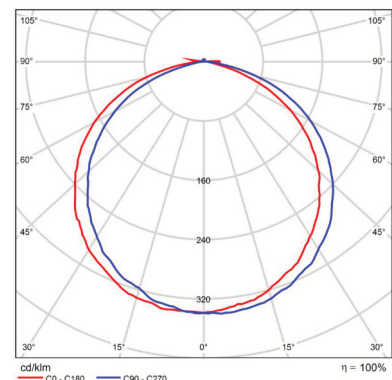
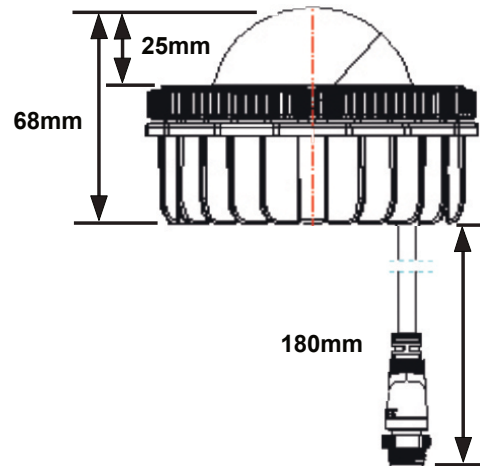
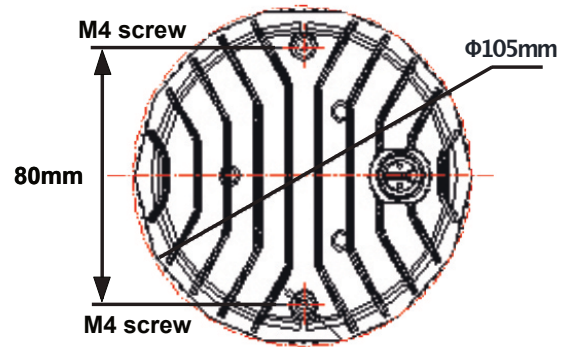
20W M23A MODULE RETROFIT SERIES

BMP-M23A-20-V-10



SPECIFICATIONS

System Power	20w
Milliamps	750Ma 22-27VDC
LED type	LUMILEDS 3030 24Pcs each Module
Lamp Body Material	Diecast Aluminium
Colour Temperature	3000k,4000k,5000,5700k
Luminous Flux	2,300lumens
Luminous Efficacy	115lm/w
CRI	Ra70 (Ra80/90 optional)
Beam Angle	120 x 120
Rated Lifespan	>100,000 hours Modules
IP Rating	IP68 Modules
Impact rating	IK09
Driver Type	Constant Current , 24v Vonstatat voltage
Operating Temperature	-40°C ~ 50°C
Dimmable	Optional
Test Reports	ISMT,LCP,TM21,LM80, L70
Lamp Dimension	φ105x 68 mm
Net Weight	0.3kg
Warranty	5 years
Certification	Ce Rohs



BMP-M23A-20-V-10



20W M23A MODULE RETROFIT SERIES

BMP-M23A-20-V-10

For accessories, contact BMP LED via
www.bmpled.com.au/contact

ACCESSORIES



Driver Extension Cable

2.0m,5.0m,12.0 lengths

BMP-DEC/2/5/12-10