



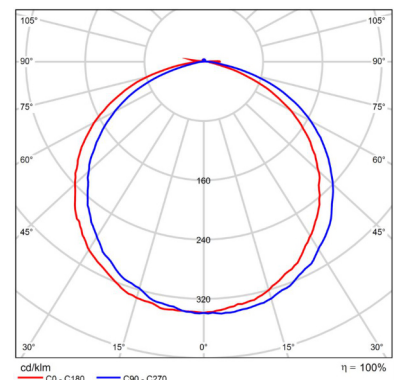
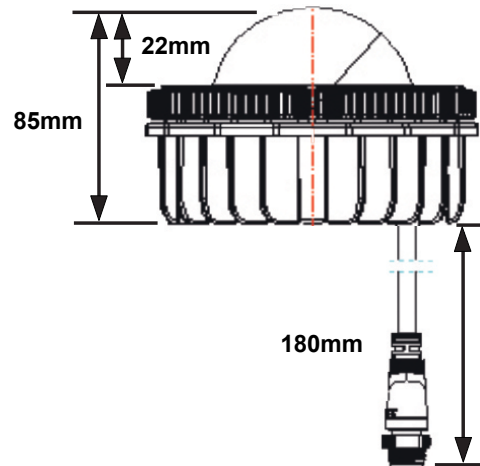
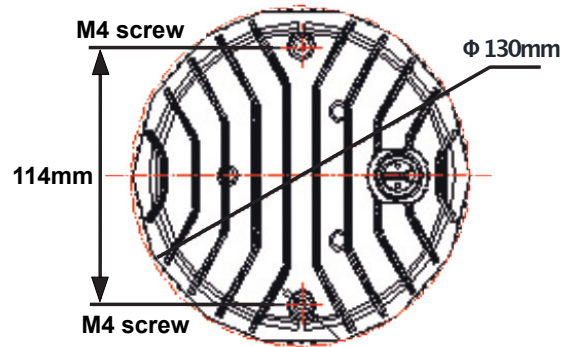
# 60W M23D MODULE RETROFIT SERIES

BMP-M23D-60-V-10



## SPECIFICATIONS

System Power	60w
Milliamps	1000Ma 51-59VDC
LED type	LUMILEDS 3030 63Pcs each Module
Lamp Body Material	Diecast Aluminium
Colour Temperature	3000k,4000k,5000,5700k
Luminous Flux	7,200lumens
Luminous Efficacy	120lm/w
CRI	Ra70 (Ra80/90 optional)
Beam Angle	120 x 120
Rated Lifespan	>100,000 hours Modules
IP Rating	IP68 Modules
Impact rating	IK09
Driver Type	Constant Current , 24v Vonstanat voltage
Operating Temperature	-40°C ~ 50°C
Dimmable	Optional
Test Reports	ISMT,LCP, TM21, LM80, L70
Lamp Dimension	φ105x 68 mm
Net Weight	0.46kg
Warranty	5 years
Certification	Ce Rohs



BMP-M23C-30-V-10



# 60W M23D MODULE RETROFIT SERIES

BMP-M23D-60-V-10

For accessories, contact BMP LED via  
[www.bmp-led.com.au/contact](http://www.bmp-led.com.au/contact)

## ACCESSORIES



Driver Extension Cable

2.0m, 5.0m, 12.0 lengths

BMP-DEC/2/5/12-10