



# 20W SIDE-LIT MICROPRISMATIC PANEL LIGHT

BMP-SL62M-20-1204-58



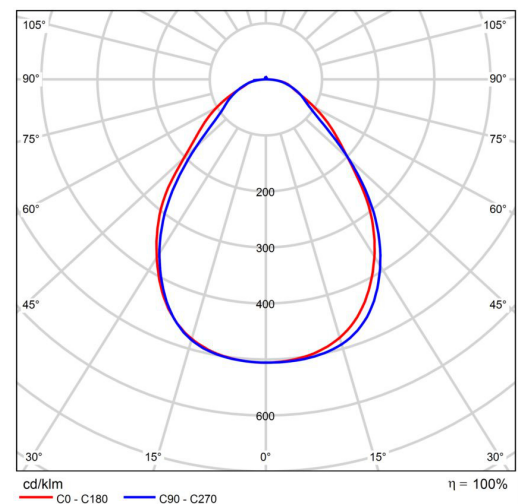
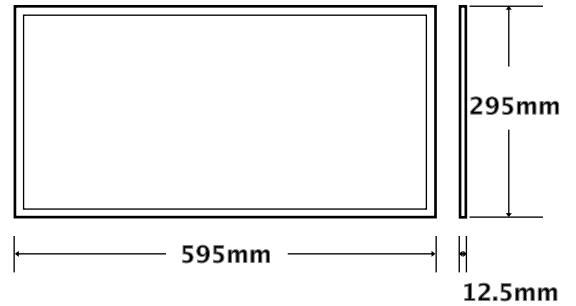
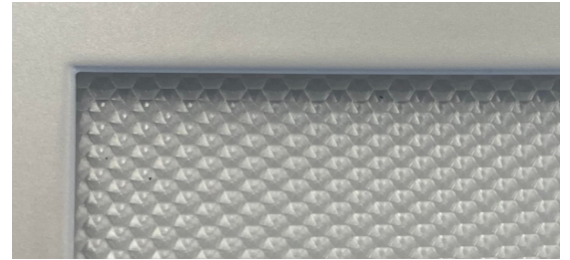
## SPECIFICATIONS

System Power	22W
Milliamps	500Ma 33-40v
LED type	PCB Board, 196pcs, 4014 SMD
Lamp Body Material	Aluminium Shell
Diffuser	PMMA LGP & Micro Prismatic
Colour Temperature	4000K
Luminous Flux	2614lumens
Luminous Efficacy	120lm/w
MaCadarn	3 step
CRI	>80
Beam Angle	120 x 120
Rated Lifespan	>50,000 hours
IP Rating	IP20
Driver Type	Lifud External Flicker Free
Operating Temperature	-20 ~ 40°C

Dimmable	Optional Flicker Free
Installation	Recessed / Suspended Surface Mount
Lamp Dimension	595 x 295 x 12.5 mm
Warranty	5 years
Certification	JAS/ANZ

## OPTIONS

- Suspension Kits
- Clean Room IP65 Enclosures
- Surface Mount Kits



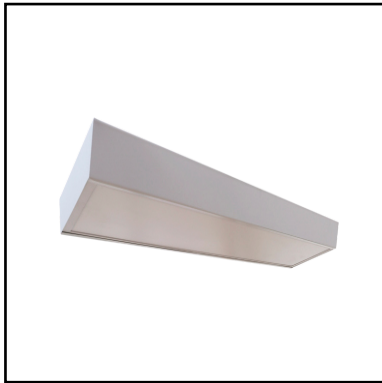


# 20W SIDE-LIT MICROPRISMATIC PANEL LIGHT

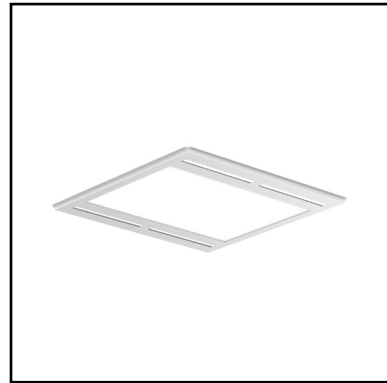
BMP-SL62M-20-1204-58

For accessories, contact BMP LED via  
[www.bmpled.com.au/contact](http://www.bmpled.com.au/contact)

## ACCESSORIES



Surface Mount frame  
Matt White  
BMP-SL62-SURF-58



Air Slot recessed Frame  
Matt White  
BMP-SL62-AS-58



Plaster Recess Frame  
Matt White  
BMP-SL62-REC-58



Cleanroom IP65 Enclosure  
Matt White  
BMP-SL62-IP65CR-58

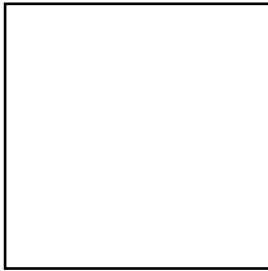


# 22W SIDE-LIT LED PANEL LIGHT

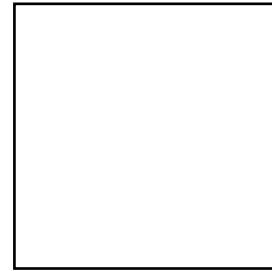
BMP-SL62M-22-1204-58

For accessories, contact BMP LED via  
[www.bmp-led.com.au/contact](http://www.bmp-led.com.au/contact)

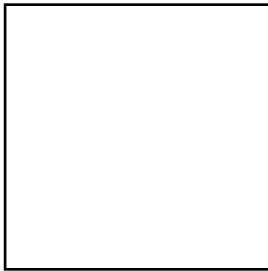
## ACCESSORIES



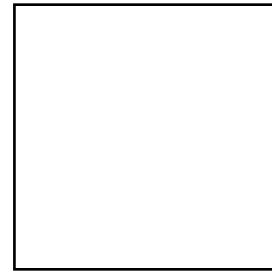
XXXX



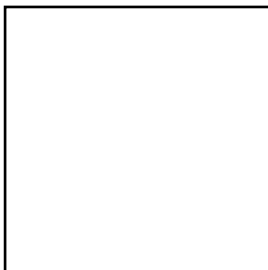
XXXX



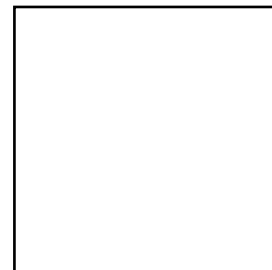
XXXX



XXXX



XXXX



XXXX