



20W DALI DIMMABLE LED PANEL LIGHT

BMP-SL62M-20-1204-58DALI

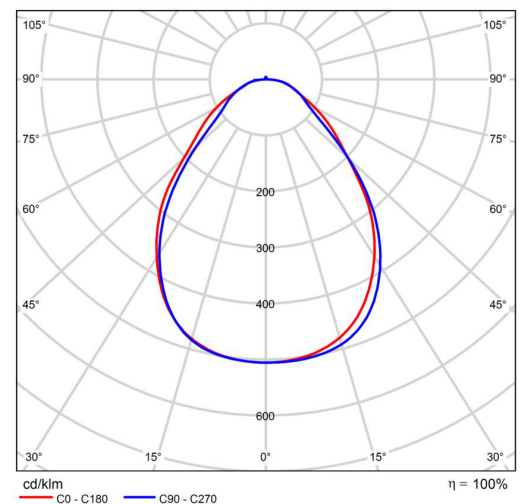
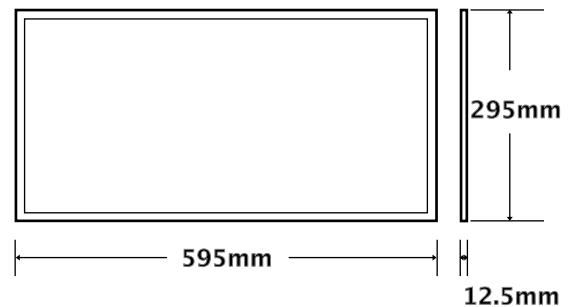
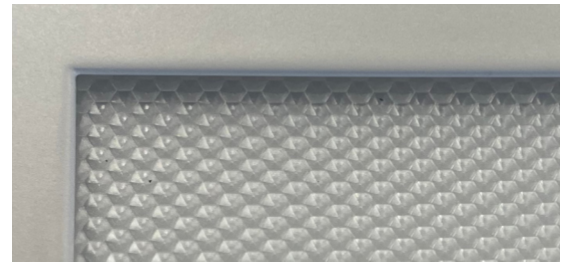


SPECIFICATIONS

| | |
|-----------------------|---------------------------------------|
| System Power | 22W |
| Milliamps | 500Ma 33-40v |
| LED type | PCB Board, 196pcs, 4014 SMD |
| Lamp Body Material | Aluminium Shell |
| Diffuser | PMMA LGP & Micro Prismatic |
| Colour Temperature | 4000K |
| Luminous Flux | 2614lumens |
| Luminous Efficacy | 120lm/w |
| MaCadam | 3 step |
| CRI | >80 |
| Beam Angle | 120 x 120 |
| Rated Lifespan | >50,000 hours |
| IP Rating | IP20 |
| Driver Type | Tridonic External Flicker Free |
| Operating Temperature | -20°C ~ 40°C |
| Dimmable | 400Ma - 500Ma |
| Installation | Recessed / Suspended Surface Mount |
| Lamp Dimension | 595 x 295 x 12.5 mm |
| Warranty | 5 years |
| Certification | JAS/ANZ |

OPTIONS

- Suspension Kits
- Clean Room IP65 Enclosures
- Surface Mount Kits



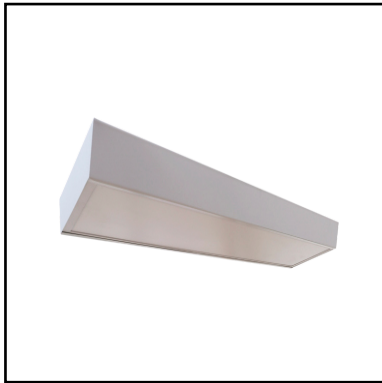


20W DALI DIMMABLE LED PANEL LIGHT

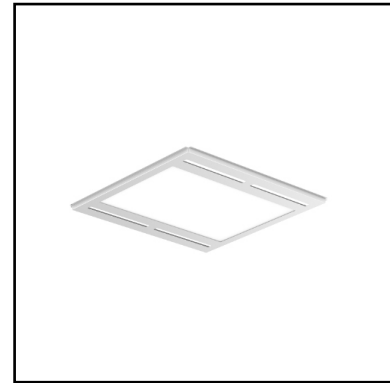
BMP-SL62M-20-1204-58DALI

For accessories, contact BMP LED via
www.bmp led.com.au/contact

ACCESSORIES



Surface Mount frame
Matt White
BMP-SL62-SURF-58



Air Slot recessed Frame
Matt White
BMP-SL62-AS-58



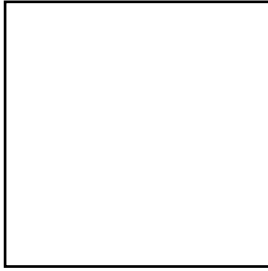
Plaster Recess Frame
Matt White
BMP-SL62-REC-58



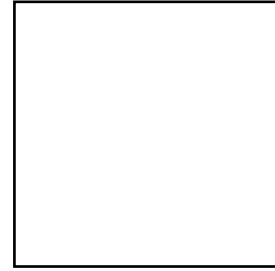
Cleanroom IP65 Enclosure
Matt White
BMP-SL62-IP65CR-58

For accessories, contact BMP LED via
www.bmp-led.com.au/contact

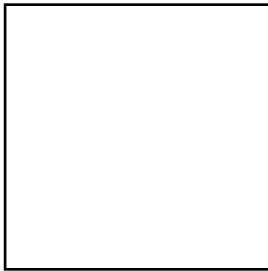
ACCESSORIES



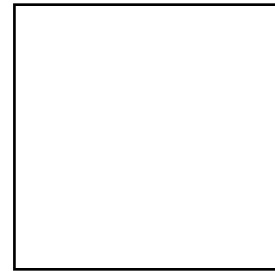
XXXX



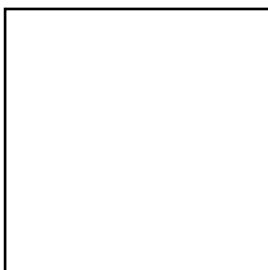
XXXX



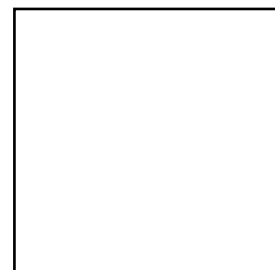
XXXX



XXXX



XXXX



XXXX