



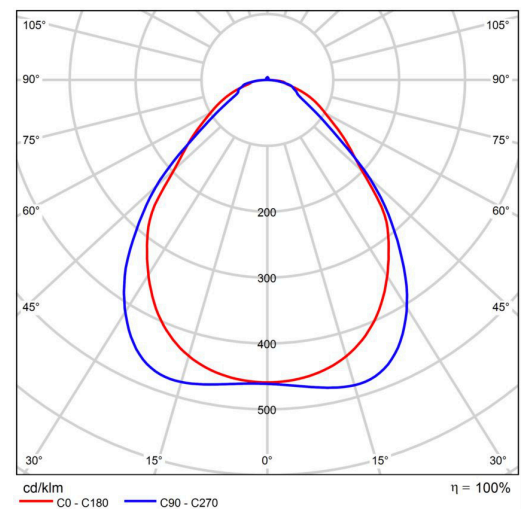
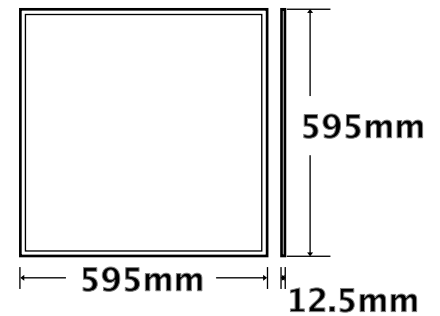
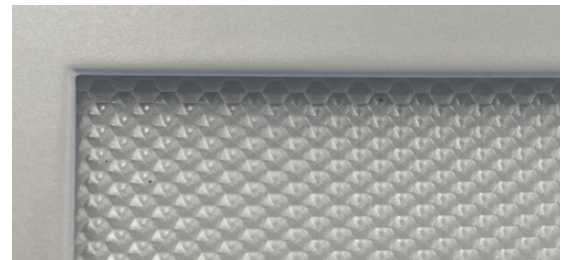
# 35W SIDE-LIT MICROPRISMATIC PANEL LIGHT

BMP-SL66M-35-1204-58



## SPECIFICATIONS

System Power	36W
Milliamps	800Ma 36v
LED type	PCB Board, 196pcs, 4014 SMD
Lamp Body Material	Aluminium Shell
Diffuser	PMMA LGP & Micro Prismatic
Colour Temperature	4000K
Luminous Flux	4078lumens
Luminous Efficacy	120lm/w
MaCadarn	3 step
CRI	>80
Beam Angle	110 x 110
Rated Lifespan	>50,000 hours
IP Rating	IP20
Driver Type	Lifud External Flicker Free
Operating Temperature	-20 ~ 40°C
Dimmable	Optional Flicker Free
Installation	Recessed / Suspended Surface Mount
Lamp Dimension	595 x 595 x 12.5 mm
Warranty	5 years
Certification	JAS/ANZ



## OPTIONS

- Suspension Kits
- Clean Room IP65 Enclosures
- Surface Mount Kits

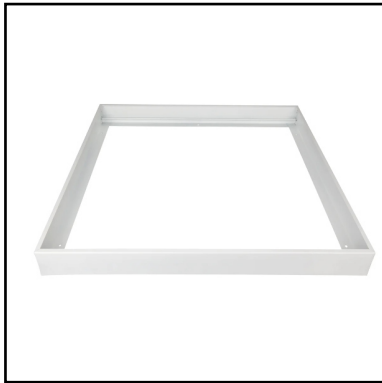


# 35W SIDE-LIT MICROPRISMATIC PANEL LIGHT

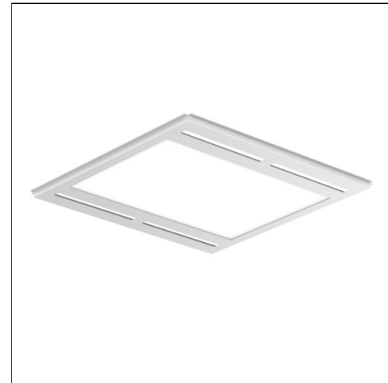
BMP-SL66M-35-1204-58

For accessories, contact BMP LED via  
[www.bmpled.com.au/contact](http://www.bmpled.com.au/contact)

## ACCESSORIES



Surface Mount frame  
Matt White  
BMP-SL66-SURF-58



Air Slot recessed Frame  
Matt White  
BMP-SL66-AS-58



Plaster Recess Frame  
Matt White  
BMP-SL66-REC-58



Cleanroom IP65 Enclosure  
Matt White  
BMP-SL312-IP65CR-58

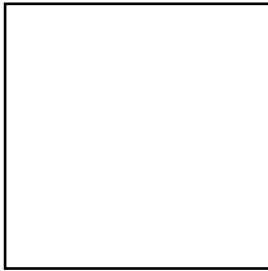


# 36W SIDE-LIT LED PANEL LIGHT

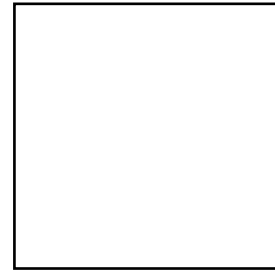
BMP-SL66M-35-1204-58

For accessories, contact BMP LED via  
[www.bmpled.com.au/contact](http://www.bmpled.com.au/contact)

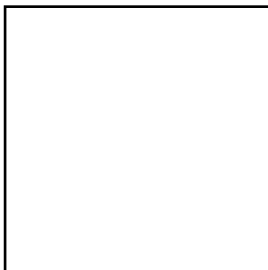
## ACCESSORIES



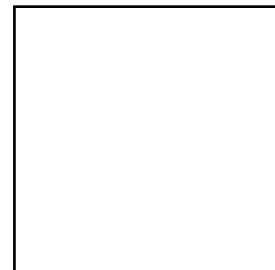
XXXX



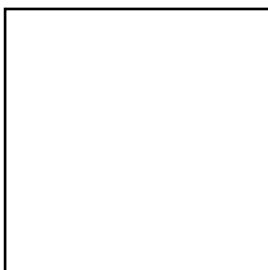
XXXX



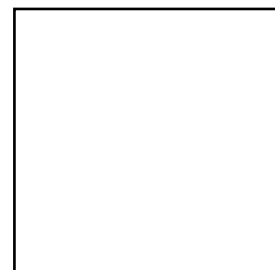
XXXX



XXXX



XXXX



XXXX