



36W DALI DIMMABLE LED PANEL LIGHT

BMP-SL66M-35-1204-58-Dali

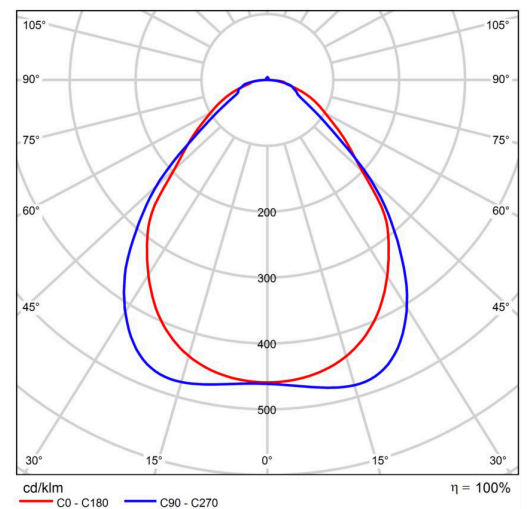
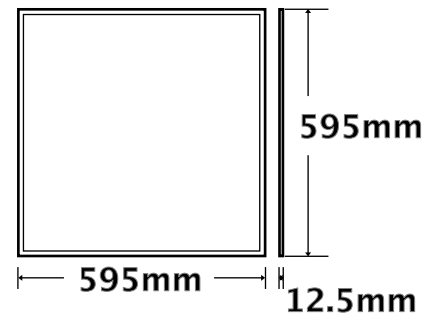
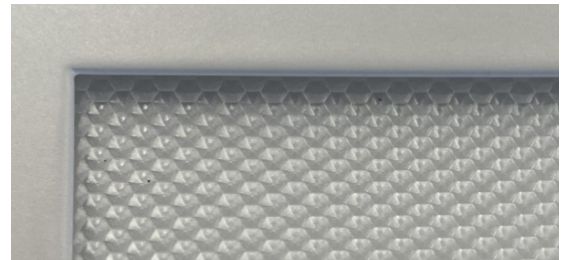


SPECIFICATIONS

System Power	36W
Milliamps	800Ma 33-40v
LED type	PCB Board, 196pcs, 4014 SMD
Lamp Body Material	Aluminium Shell
Diffuser	PMMA LGP & Micro Prismatic
Colour Temperature	4000K
Luminous Flux	4078lumens
Luminous Efficacy	120lm/w
MaCadam	3 step
CRI	>80
Beam Angle	110 x 110
Rated Lifespan	>50,000 hours
IP Rating	IP20
Driver Type	Tridonic
Operating Temperature	-20°C ~ 40°C
Dimmable	400Ma - 800Ma
Installation	Recessed / Suspended Surface Mount
Lamp Dimension	595 x 595 x 12.5 mm
Warranty	5 years
Certification	JAS/ANZ

OPTIONS

- Suspension Kits
- Clean Room IP65 Enclosures
- Surface Mount Kits



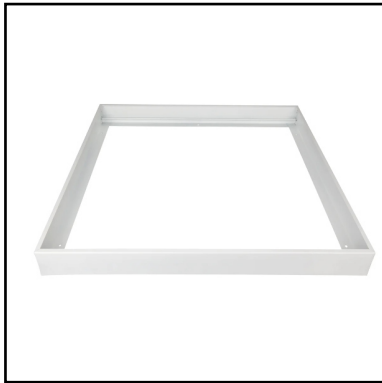


35W DALI DIMMABLE LED PANEL LIGHT

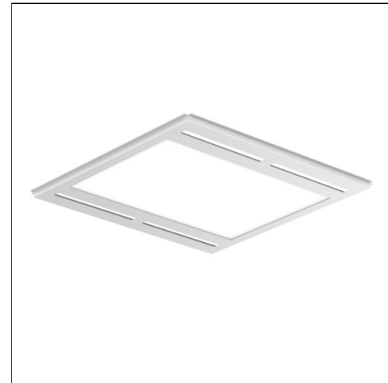
BMP-SL66M-35-1204-58-Dali

For accessories, contact BMP LED via
www.bmp-led.com.au/contact

ACCESSORIES



Surface Mount frame
Matt White
BMP-SL66-SURF-58



Air Slot recessed Frame
Matt White
BMP-SL66-AS-58



Plaster Recess Frame
Matt White
BMP-SL66-REC-58



Cleanroom IP65 Enclosure
Matt White
BMP-SL66-IP65CR-58

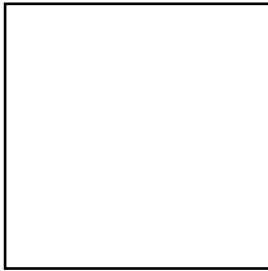


XXX

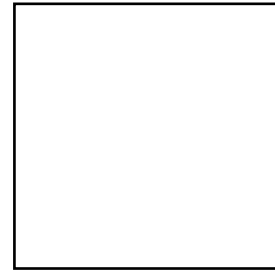
XXX

For accessories, contact BMP LED via
www.bmp led.com.au/contact

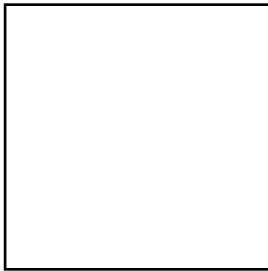
ACCESSORIES



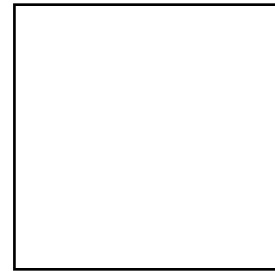
XXXX



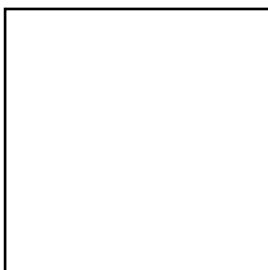
XXXX



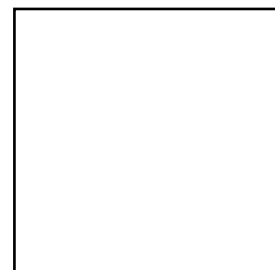
XXXX



XXXX



XXXX



XXXX