



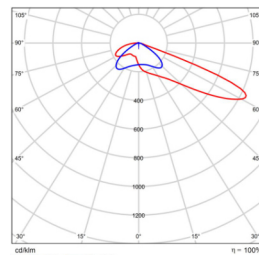
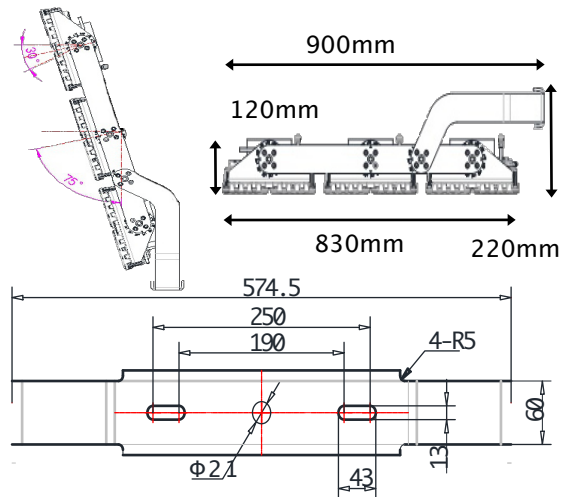
1200W MODULE SPORTGROUND LIGHT SERIES

3535 LUXEON SERIES

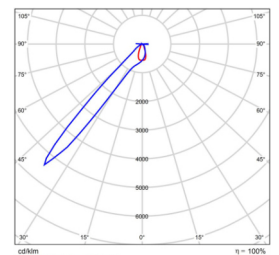
BMP-STADLV-1200-150V-10



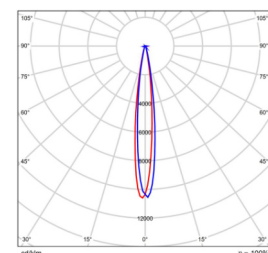
SPECIFICATIONS	
System Power	1200w
Milliamps	1270Ma
LED type	LUXEON 3535 96Pcs each Module
Lamp Body Material	Powdercoated Galvanised Steel
Colour Temperature	4000k(3000k,5700kopt)
Luminous Flux	162,050 Lumens
Luminous Efficacy	135 Lm/w
CRI	Ra80 (Ra70/90 optional)
Beam Angle	114X17, 45X12, 12X12 Horizontal
Rated Lifespan	> 100,000 hours Modules
IP Rating	IP67 Housing , IP68 Modules
Impact rating	IK09
Driver Type	Moso X6-200M191x6pcs Flicker Free
Operating Temperature	-40°C ~ 50°C
Dimmable	PWM Dimming
Test Reports	ISMT,LCP,TM21,LM80, L70
Lamp Dimension	900 x 645 x 220 mm
Net Weight	29.7kg + 6.0kg drivers
Warranty	5 years drivers,10 years Modules
Certification	JAS/ANZ TUV



114x17 B/Angle
BMP-STADL1251-1200-150V-10



45x12 B/Angle
BMP-STADL2318-1200-150V-10



12x12 B/Angle
BMP-STADL12-1200-150V-10

See 5050 series for additional beam angles



1200W MODULE SPORTSGROUND LIGHT SERIES

3535 LUXEON SERIES BMP-FLMODLV-1200-150V-10

For accessories, contact BMP LED via
www.bmpled.com.au/contact

ACCESSORIES



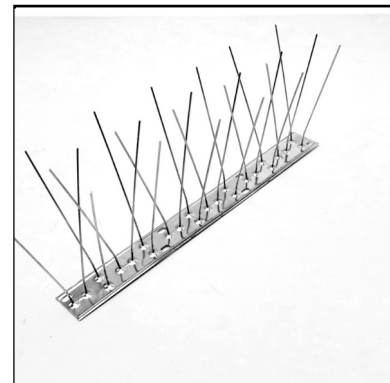
Light Shields
BMP-FL40SHIELD-10



Red Laser pointer
BMP-REDLPOINT-10



Driver Extension Cable
2.0m,5.0m,12.0 lengths
BMP-DEC/2/5/12-10



Birdspikes
0.33m
BMP-BIRDSPIKES-10