



# 1200W MODULE SPORTGROUND DALI SERIES 415V (3 PHASE)

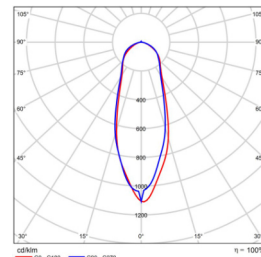
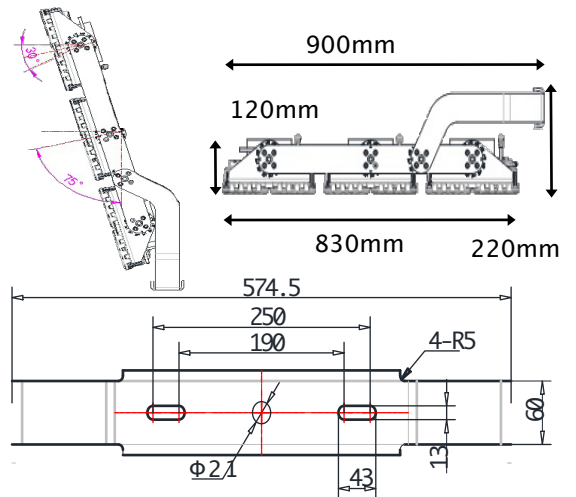
5050 LUMILED SERIES

BMP-5STADV-1200-150V-10D4

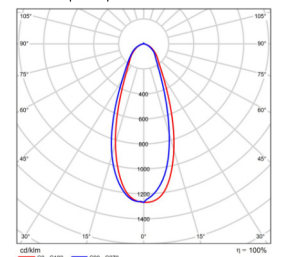


## SPECIFICATIONS

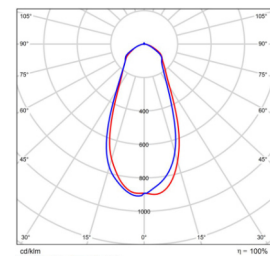
System Power	1200w
Milliamps	6000Ma
LED type	LUMILED 5050 96Pcs each Module
Lamp Body Material	Powdercoated Galvanised Steel
Colour Temperature	4000k(3000k,5700kopt)
Luminous Flux	186,050 Lumens
Luminous Efficacy	155 Lm/w
CRI	Ra80 (Ra70/90 optional)
Beam Angle	25X25, 40X40, 60X60
Rated Lifespan	>100,000 hours Modules
IP Rating	IP67 Housing , IP68 Modules
Impact rating	IK09
Driver Type	Inventronics Flicker free ESM-240150DG x6pcs
Operating Temperature	-40°C ~ 50°C
Dimmable	PWM Dimming
Test Reports	ISMT,LCP,TM21,LM80, L70
Lamp Dimension	900 x 645 x 220 mm
Net Weight	29.7kg + 6.0kg drivers
Warranty	5 years drivers,10 years Modules
Certification	JAS/ANZ TUV



25 X 25 B/Angle  
BMP-STAD25-1200-150V-10D4



40x40 B/Angle  
BMP-STAD25-1200-150V-10D4



60x60 B/Angle  
BMP-STAD60-1200-150V-10D4

See 3535 series for additional beam angles



# 1200W MODULE SPORTGROUND DALI SERIES 415V (3 PHASE)

5050 LUMILED SERIES

BMP-STADV-1200-150V-10D4

For accessories, contact BMP LED via  
[www.bmpled.com.au/contact](http://www.bmpled.com.au/contact)

## ACCESSORIES



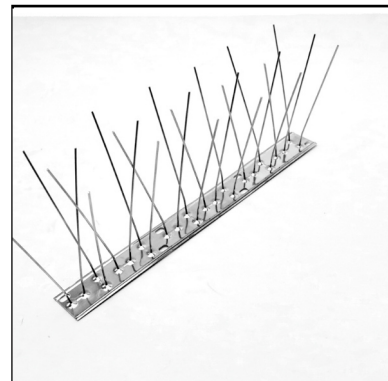
Light Shields  
BMP-FL40SHIELD-10



Red Laser pointer  
BMP-REDLPOINT-10



Driver Extension Cable  
2.0m,5.0m,12.0 lengths  
BMP-DEC/2/5/12-10



Birdspikes  
0.33m  
BMP-BIRDSPIKES-10