



# 1500W MODULE SPORTGROUND LIGHT SERIES

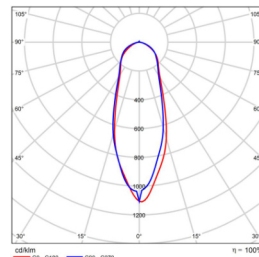
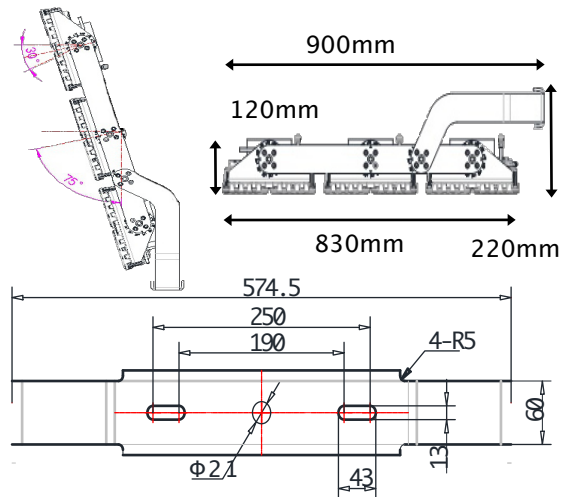
5050 LUMILED SERIES

BMP-STADV-1500-150V-10

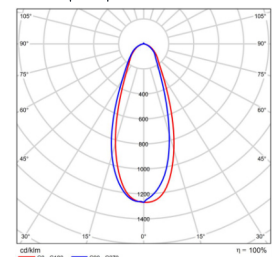


## SPECIFICATIONS

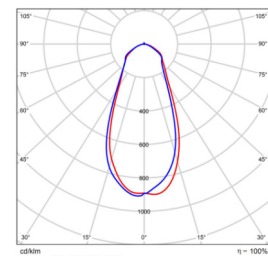
System Power	1500w
Milliamps	1250Ma
LED type	LUMILED 5050 96Pcs each Module
Lamp Body Material	Powdercoated Galvanised Steel
Colour Temperature	4000k(3000k,5700kopt)
Luminous Flux	232,550 Lumens
Luminous Efficacy	155 Lm/w
CRI	Ra80 (Ra70/90 optional)
Beam Angle	25X25, 40X40, 60X60
Rated Lifespan	>100,000 hours Modules
IP Rating	IP67 Housing , IP68 Modules
Impact rating	IK09
Driver Type	Moso X6-200M286x6pcs Flicker Free
Operating Temperature	-40°C ~ 50°C
Dimmable	PWM Dimming
Test Reports	ISMT,LCP,TM21,LM80, L70
Lamp Dimension	900 x 645 x 220 mm
Net Weight	29.7kg + 6.0kg drivers
Warranty	5 years drivers,10 years Modules
Certification	JAS/ANZ TUV



25 X 25 B/Angle  
BMP-STAD25-1500-150V-10



40x40 B/Angle  
BMP-STAD25-1500-150V-10



60x60 B/Angle  
BMP-STAD60-1500-150V-10

See 3535 series for additional beam angles



# 1500W MODULE SPORTSGROUND LIGHT SERIES

5050 LUMILED SERIES BMP-FLMODV-1500-150V-10

For accessories, contact BMP LED via  
[www.bmpled.com.au/contact](http://www.bmpled.com.au/contact)

## ACCESSORIES



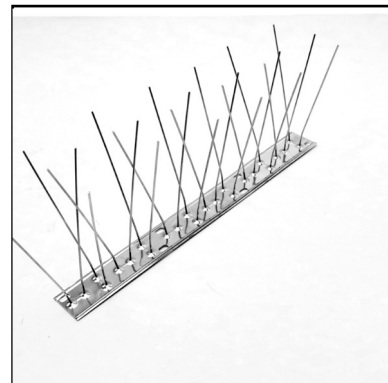
Light Shields  
BMP-FL40SHIELD-10



Red Laser pointer  
BMP-REDLPOINT-10



Driver Extension Cable  
2.0m,5.0m,12.0 lengths  
BMP-DEC/2/5/12-10



Birdspikes  
0.33m  
BMP-BIRDSPIKES-10