



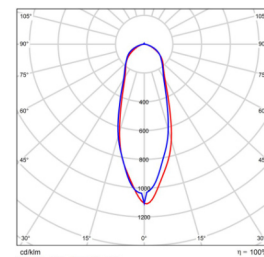
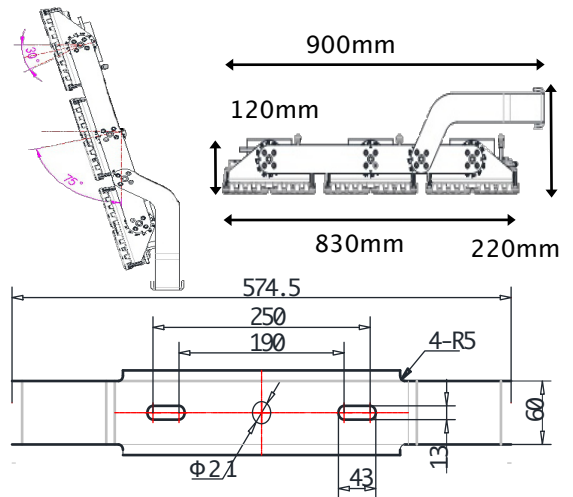
1500W MODULE SPORTGROUND DALI SERIES 415V (3 PHASE)

5050 LUMILED SERIES

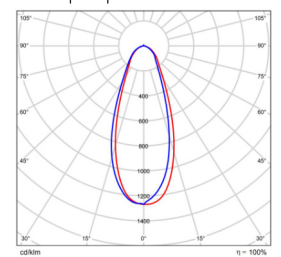
BMP-5STADV-1500-150V-10D4



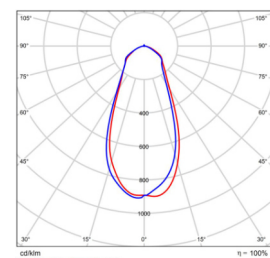
SPECIFICATIONS	
System Power	1500w
Milliamps	7560Ma
LED type	LUMILED 5050 96Pcs each Module
Lamp Body Material	Powdercoated Galvanised Steel
Colour Temperature	4000k(3000k,5700kopt)
Luminous Flux	232,550 Lumens
Luminous Efficacy	155 Lm/w
CRI	Ra80 (Ra70/90 optional)
Beam Angle	25X25, 40X40, 60X60
Rated Lifespan	>100,000 hours Modules
IP Rating	IP67 Housing , IP68 Modules
Impact rating	IK09
Driver Type	Moso X6-200M286x6pcs Flicker Free
Operating Temperature	-40°C ~ 50°C
Dimmable	PWM Dimming
Test Reports	ISMT,LCP,TM21,LM80, L70
Lamp Dimension	900 x 645 x 220 mm
Net Weight	29.7kg + 6.0kg drivers
Warranty	5 years drivers,10 years Modules
Certification	JAS/ANZ TUV



25 X 25 B/Angle
BMP-STAD25-1500-150V-10D4



40x40 B/Angle
BMP-STAD25-1500-150V-10D4



60x60 B/Angle
BMP-STAD601500-150V-10D4

See 3535 series for additional beam angles



1500W MODULE SPORTGROUND DALI SERIES 415V (3 PHASE)

5050 LUMILED SERIES

BMP-5STADV-1500-150V-10D4

For accessories, contact BMP LED via
www.bmpled.com.au/contact

ACCESSORIES



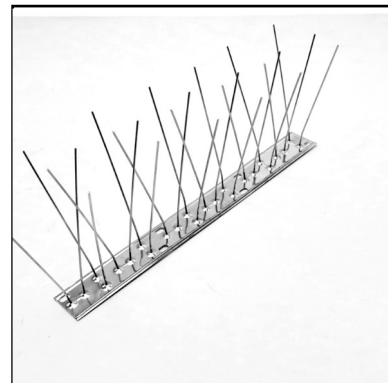
Light Shields
BMP-FL40SHIELD-10



Red Laser pointer
BMP-REDLPOINT-10



Driver Extension Cable
2.0m,5.0m,12.0 lengths
BMP-DEC/2/5/12-10



Birdspikes
0.33m
BMP-BIRDSPIKES-10